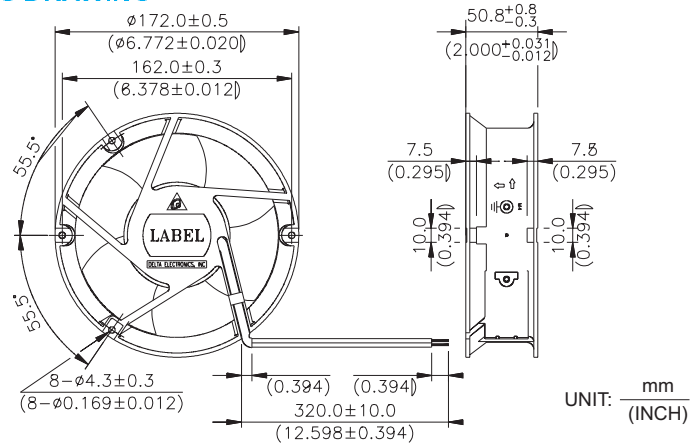


New

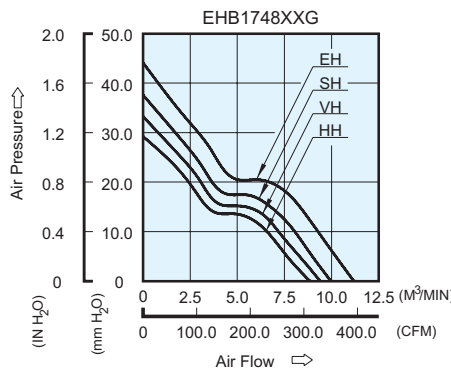


- * Bearing Type
Ball Bearings
- * Material
Impeller : Plastic (UL 94V-0)
Frame: Die-Cast Aluminum
- * Lead Wires :
UL 1007 AWG #24 OR Equivalent
Red Wire Positive (+)
Black Wire Negative (-)
- * Weight : 820g (28.92 oz)

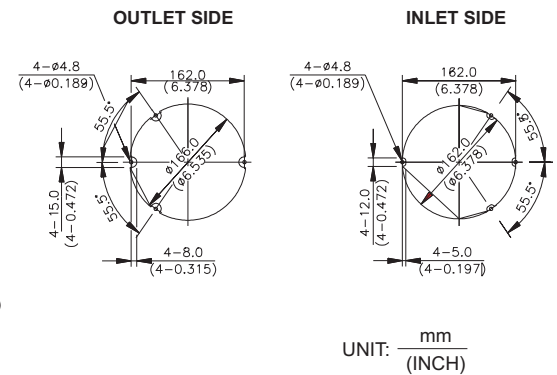
■ DIMENSIONS DRAWING



■ P & Q CURVE (AT RATED VOLTAGE)



■ MOUNTING PANEL CUTOUT



MODEL		Rated Voltage	Operating Voltage Range	Rated Current	Rated Input Power	Speed	Maximum Air Flow		Maximum Air Pressure		Noise
PART NO.	FUNCTION	VDC	VDC	Amp	Watt	R.P.M.	m ³ /min	CFM	mmH ₂ O	IN H ₂ O	dB-A
EHB1748HHG	-R00 / -F00	48	32.0 to 80.0	0.61	29.28	4300	8.822	311.55	29.56	1.164	60.0
EHB1748VHG	-R00 / -F00	48	32.0 to 80.0	0.72	34.56	4600	9.382	331.33	33.75	1.329	62.0
EHB1748SHG	-R00 / -F00	48	32.0 to 80.0	0.88	42.24	4900	9.945	351.21	38.11	1.500	64.0
EHB1748EHG	-R00 / -F00	48	32.0 to 80.0	1.20	57.60	5200	11.163	394.22	44.73	1.761	66.0

* Function type is optional.
 * The max. air flow and the speed are measured in free air ; max. air pressure is measured at zero air flow.
 * Noise is measured in anechoic chamber in free air, one meter from intake side.
 * All readings are typical values at rated voltage.
 * Specifications are subject to change without notice.

北京永宏诚大机电设备有限公司 电话:86-10-66131492
 传真:86-10-66162242