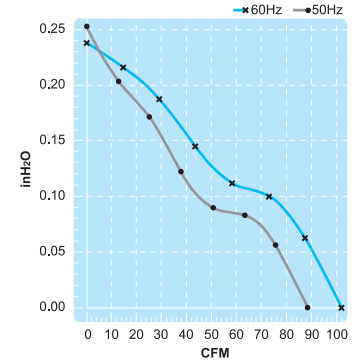
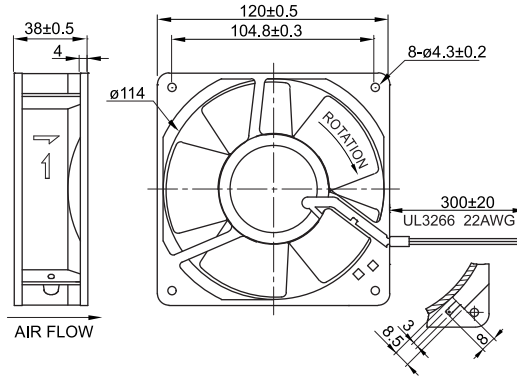


# UF12A(M) Series

Size : 120 x 120 x 38

Unit : mm

\* Metal Impeller



Impedance Protection

Terminal or Lead Wire Type



Spec.	Rated Voltage V	Frequency Hz	Input Power W	Rated Current A	Locked Current A	Speed RPM	Maximum Air Flow m <sup>3</sup> /min.	Maximum Air Flow CFM	Maximum Pressure mmH <sub>2</sub> O	Maximum Pressure InchH <sub>2</sub> O	Noise dB	Weight kg
UF12AM10-H	100V	50	18	0.26	0.34	2700	2.5	89	6.5	0.26	42	0.55
		60	17	0.23	0.30	3100	2.9	103	6.0	0.24	46	
UF12AM11-H	115V	50	15	0.17	0.25	2700	2.5	89	6.5	0.26	42	0.55
		60	13	0.15	0.22	3100	2.9	103	6.0	0.24	46	
UF12AM20-H	200V	50	18	0.13	0.17	2700	2.5	89	6.5	0.26	42	0.55
		60	17	0.11	0.15	3100	2.9	103	6.0	0.24	46	
UF12AM23-H	230V	50	17	0.10	0.13	2700	2.5	89	6.5	0.26	42	0.55
		60	15	0.09	0.12	3100	2.9	103	6.0	0.24	46	