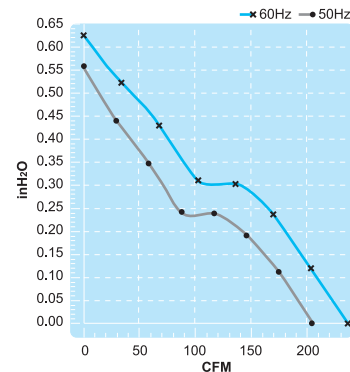
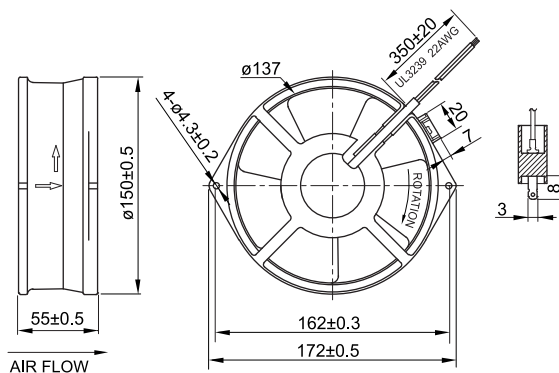
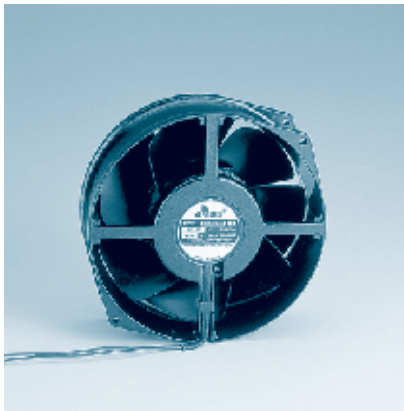


UF15K(M) Series

Size : 172 x 150 x 55

Unit : mm

* Metal Impeller



Thermal Protection

Terminal or Lead Wire Type



Spec. / Model	Rated Voltage V	Frequency Hz	Input Power W	Rated Current A	Locked Current A	Speed RPM	Maximum Air Flow m ³ /min.	Maximum Air Flow CFM	Maximum Pressure mmH ₂ O	Maximum Pressure InchH ₂ O	Noise dB	Weight kg
UF15KM10-H	100V	50	40	0.58	1.03	2800	5.5	195	14	0.55	49	1.10
		60	38	0.50	0.89	3250	6.5	230	16	0.63	53	
UF15KM11-H	115V	50	42	0.52	0.88	2800	5.5	195	14	0.55	49	1.10
		60	42	0.47	0.75	3250	6.5	230	16	0.63	53	
UF15KM20-H	200V	50	40	0.29	0.50	2800	5.5	195	14	0.55	49	1.10
		60	38	0.26	0.45	3250	6.5	230	16	0.63	53	
UF15KM23-H	230V	50	42	0.25	0.43	2800	5.5	195	14	0.55	49	1.10
		60	42	0.23	0.37	3250	6.5	230	16	0.63	53	