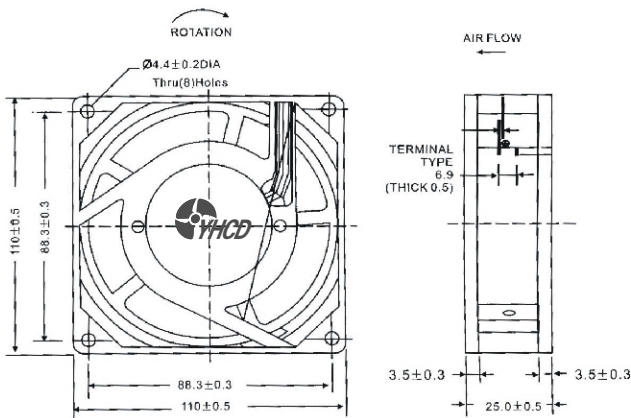


产品说明 General Data

耐压Dielectric withstand voltage: AC 1500V (50/60Hz) one minute
 安全保护Protection: Impedance protection or thermal protection
 工作温度Operating Temperature: Ball bearing: $-20^{\circ}\text{C}\sim+75^{\circ}\text{C}$
 Sleeve bearing: $-10^{\circ}\text{C}\sim+70^{\circ}\text{C}$
 使用寿命Life Expectancy: Ball bearing: over 40000 hr. (At 40°C)
 Sleeve bearing: over 15000 hr. (At 40°C)
 安规认证Safety: UL>CUL>TUV>CE>CCC
 重量Weight: 304g
 尺寸图Outline



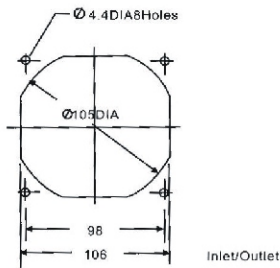
风量Airflow: 70~100m³/hr 41~59CFM
 相同产品The some of product: **100FZY-S**



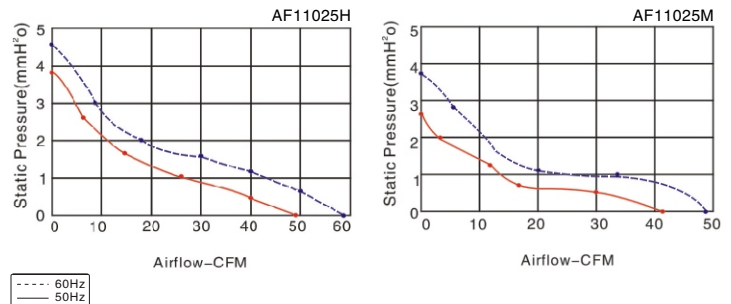
材料 Material

外框 Frame: Aluminum alloy
 风叶 Impeller: Plastic 94V-0 PBT covering glass fiber
 马达 Motor: Shaded pole induction motor
 连接方式Connection: Lead wire

开孔尺寸 Panel Cut-outs



曲线图 Characteristic Curves



技术参数 Specifications

Model (型号)	Bearing system (轴承型式)	Voltage VAC (电压)	Freq. Hz (频率)	Current A (电流)	Power W (功率)	Speed RPM (转速)	Noise dBA (噪音)	Air Flow(风量)		Phase (相数)	Capacitor (电容)
								M3/hr	CFM		
AF11025HA ₁ S	Sleeve	100~120	50/60	0.2	18	2300/2900	35/41	84/100	49/59	1	/
AF11025HA ₂ S		200~240	50/60	0.1	18	2300/2900	35/41	84/100	49/59	1	/
AF11025HA ₁ B	Ball	100~120	50/60	0.2	18	2300/2900	35/41	84/100	49/59	1	/
AF11025HA ₂ B		200~240	50/60	0.1	18	2300/2900	35/41	84/100	49/59	1	/
AF11025MA ₁ S	Sleeve	100~120	50/60	0.16	16	1800/2300	30/35	70/84	41/49	1	/
AF11025MA ₂ S		200~240	50/60	0.8	16	1800/2300	30/35	70/84	41/49	1	/
AF11025MA ₁ B	Ball	100~120	50/60	0.16	16	1800/2300	30/35	70/84	41/49	1	/
AF11025MA ₂ B		200~240	50/60	0.8	16	1800/2300	30/35	70/84	41/49	1	/