

**产品说明 General Data**

耐压Dielectric withstand voltage: AC 1500V (50/60Hz) one minute  
 安全保护Protection: Impedance protection or thermal protection  
 工作温度Operating Temperature: Ball bearing: -20°C~+75°C  
 Sleeve bearing: -10°C~+70°C

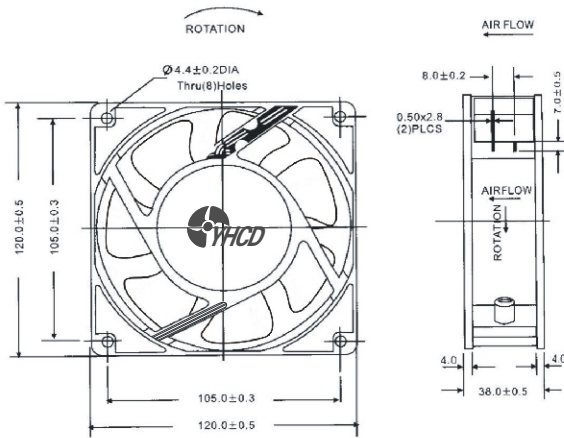
使用寿命Life Expectancy: Ball bearing: over 40000 hr. (At 40°C)  
 Sleeve bearing: over 15000 hr. (At 40°C)

安规认证Safety: UL>CUL>TUV>CE>CCC

重量Weight: 500g



风量Airflow: 165 ~ 207 m<sup>3</sup>/hr 98~122 CFM

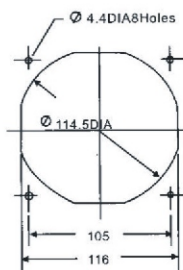
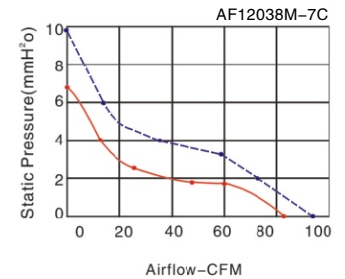
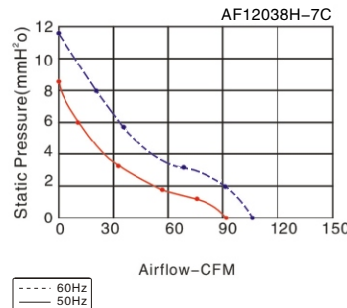

**材料 Material**

外框 Frame: Aluminum alloy

风叶 Impeller: Plastic 94V-0 PBT covering glass fiber

马达 Motor: Capacitor-run induction motor

连接方式 Connection: Lead wire or terminal type

**开孔尺寸 Panel Cut-outs**

**曲线图 Characteristic Curves**

**技术参数 Specifications**

Model (型号)	Bearing system (轴承型式)	Voltage VAC (电压)	Freq. Hz (频率)	Current A (电流)	Power W (功率)	Speed RPM (转速)	Noise dBA (噪音)	Air Flow (风量)		Phase (相数)	Capacitor (电容)
								M3/hr	CFM		
AF12038HA <sub>S</sub> -7C	Sleeve	100-120	50/60	0.2	18	2700/3100	43/48	182/207	106/122	1	/
AF12038HA <sub>S</sub> -7C		200-240	50/60	0.1	18	2700/3100	43/48	182/207	106/122	1	/
AF12038HA <sub>B</sub> -7C	Ball	100-120	50/60	0.2	18	2700/3100	43/48	182/207	106/122	1	/
AF12038HA <sub>B</sub> -7C		200-240	50/60	0.1	18	2700/3100	43/48	182/207	106/122	1	/
AF12038MA <sub>S</sub> -7C	Sleeve	100-120	50/60	0.16	16	2500/2900	39/44	165/186	98/110	1	/
AF12038MA <sub>S</sub> -7C		200-240	50/60	0.08	16	2500/2900	39/44	165/186	98/110	1	/
AF12038MA <sub>B</sub> -7C	Ball	100-120	50/60	0.16	16	2500/2900	39/44	165/186	98/110	1	/
AF12038MA <sub>B</sub> -7C		200-240	50/60	0.08	16	2500/2900	39/44	165/186	98/110	1	/