

## 产品说明 General Data

耐压Dielectric withstand voltage: AC 1500V (50/60Hz) one minute  
 安全保护Protection: Impedance protection or thermal protection  
 工作温度Operating Temperature: Ball bearing: -20°C~+105°C  
 Sleeve bearing: -10°C~+105°C

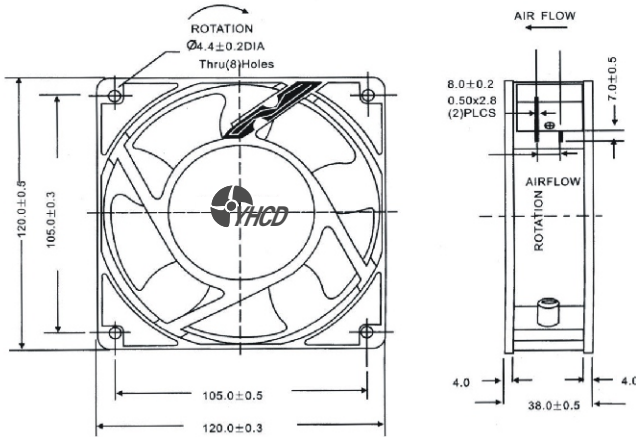
使用寿命Life Expectancy: Ball bearing: over 40000 hr. (At 40°C)  
 Sleeve bearing: over 20000 hr. (At 40°C)

安规认证Safety: UL>CUL>TUV>CE>CCC

重量Weight: 600g  
 尺寸图Outline



风量Airflow: 165 ~ 207m<sup>3</sup>/hr 98~122CFM



## 材料 Material

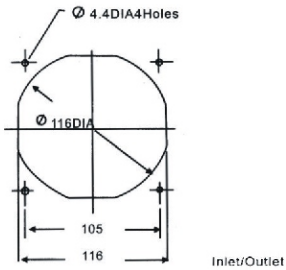
外框 Frame: Aluminum alloy

风叶 Impeller: Iron leaf

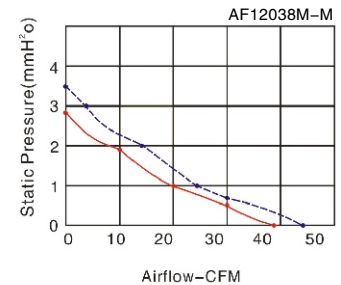
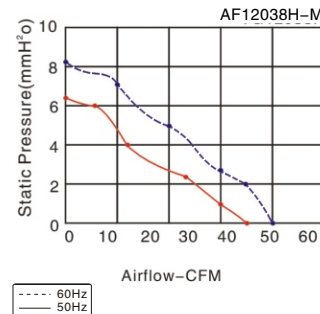
马达 Motor: Capacitor-run induction motor

连接方式 Connection: Lead wire or terminal type

## 开孔尺寸 Panel Cut-outs



## 曲线图 Characteristic Curves



## 技术参数 Specifications

Model (型号)	Bearing system (轴承型式)	Voltage VAC (电压)	Freq. Hz (频率)	Current A (电流)	Power W (功率)	Speed RPM (转速)	Noise dBA (噪音)	Air Flow(风量)		Phase (相数)	Capacitor (电容)
								M3/hr	CFM		
AF12038HA <sub>1</sub> S-M	Sleeve	100-120	50/60	0.25	24	2600/2800	46/50	180/204	160/120	1	/
AF12038HA <sub>2</sub> S-M		200-240	50/60	0.14	22	2600/2800	46/50	180/204	160/120	1	/
AF12038HA <sub>1</sub> B-M	Ball	100-120	50/60	0.25	24	2600/2800	46/50	180/204	160/120	1	/
AF12038HA <sub>2</sub> B-M		200-240	50/60	0.14	22	2600/2800	46/50	180/204	160/120	1	/
AF12038MA <sub>1</sub> S-M	Sleeve	100-120	50/60	0.23	22	2000/2200	39/41	134/149	79/87	1	/
AF12038MA <sub>2</sub> S-M		200-240	50/60	0.13	20	2000/2200	39/41	134/149	79/87	1	/
AF12038MA <sub>1</sub> B-M	Ball	100-120	50/60	0.23	22	2000/2200	39/41	134/149	79/87	1	/
AF12038MA <sub>2</sub> B-M		200-240	50/60	0.13	20	2000/2200	39/41	134/149	79/87	1	/