

产品说明 General Data

耐压Dielectric withstand voltage: AC 1500V (50/60Hz) one minute

安全保护Protection: Impedance protection or thermal protection

 工作温度Operating Temperature: Ball bearing: $-20^{\circ}\text{C} \sim +75^{\circ}\text{C}$

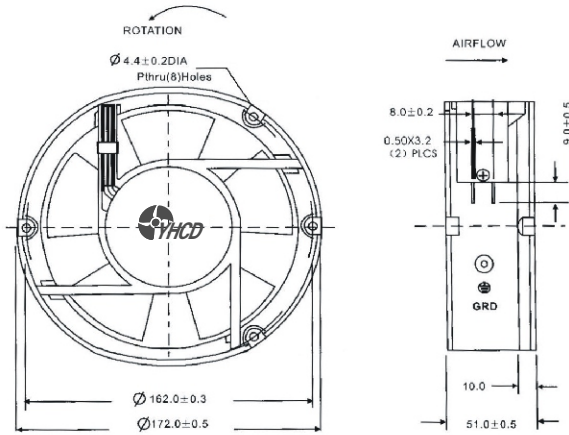
 Sleeve bearing: $-10^{\circ}\text{C} \sim +70^{\circ}\text{C}$

 使用寿命Life Expectancy: Ball bearing: over 40000 hr. (At 40°C)

 Sleeve bearing: over 15000 hr. (At 40°C)

安规认证Safety: UL>CUL>TUV>CE>CCC

重量Weight: 860g


 风量Airflow: 272 ~ 336m³/hr 160~198CFM

材料 Material

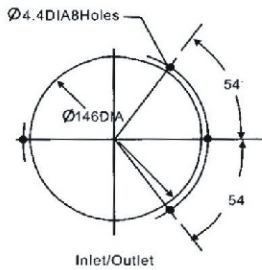
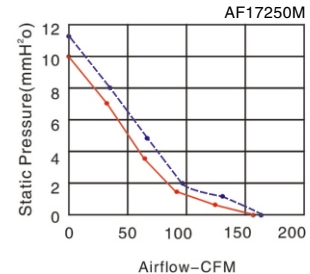
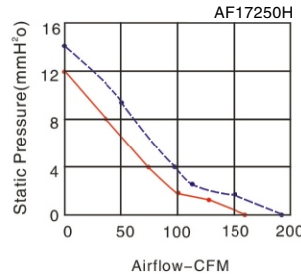
外框 Frame: Aluminum alloy

风叶 Impeller: Plastic 94V-0 PBT covering glass fiber

马达 Motor: Shaded pole induction motor

连接方式 Connection: Lead wire or terminal type

AF8038H

开孔尺寸 Panel Cut-outs

曲线图 Characteristic Curves

技术参数 Specifications

Model (型号)	Bearing system (轴承型式)	Voltage VAC (电压)	Freq. Hz (频率)	Current A (电流)	Power W (功率)	Speed RPM (转速)	Noise dBA (噪音)	Air Flow(风量)		Phase (相数)	Capacitor (电容)
								M3/hr	CFM		
AF17250HA,S	Sleeve	100-120	50/60	0.4	38	2600/2900	54/59	229/336	176/198	1	/
AF17250HA ₂ S		200-240	50/60	0.22	38	2600/2900	54/59	229/336	176/198	1	/
AF17250HA ₃ S		380-420	50/60	0.12	38	2600/2900	54/59	229/336	176/198	1	/
AF17250HA,B	Ball	100-120	50/60	0.4	38	2600/2900	54/59	229/336	176/198	1	/
AF17250HA ₂ B		200-240	50/60	0.22	38	2600/2900	54/59	229/336	176/198	1	/
AF17250HA ₃ B		380-420	50/60	0.12	38	2600/2900	54/59	229/336	176/198	1	/
AF17250MA,S	Sleeve	100-120	50/60	0.35	35	2600/2900	49/54	272/300	160/176	1	/
AF17250MA ₂ S		200-240	50/60	0.19	35	2600/2900	49/54	272/300	160/176	1	/
AF17250MA ₃ S		380-420	50/60	0.12	35	2600/2900	49/54	272/300	160/176	1	/
AF17250MA,B	Ball	100-120	50/60	0.35	35	2600/2900	49/54	272/300	160/176	1	/
AF17250MA ₂ B		200-240	50/60	0.19	35	2600/2900	49/54	272/300	160/176	1	/
AF17250MA ₃ B		380-420	50/60	0.12	35	2600/2900	49/54	272/300	160/176	1	/