

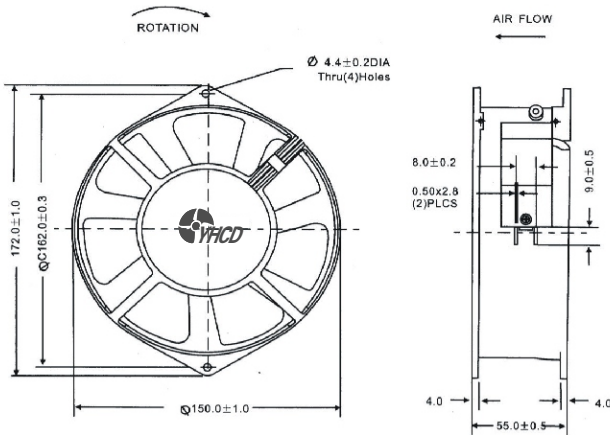
产品说明 General Data

耐压Dielectric withstand voltage: AC 1500V (50/60Hz) one minute
 安全保护Protection: Impedance protection or thermal protection
 工作温度Operating Temperature: Ball bearing: -20°C~+105°C
 使用寿命Life Expectancy: Ball bearing: over 40000 hr. (At 40°C)
 安规认证Safety: UL>CUL>TUV>CE>CCC
 重量Weight: 1200g



尺寸图 Outline

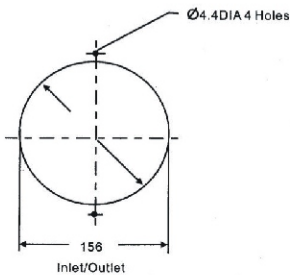
风量Airflow: 289 ~ 408 m³/hr 170 ~ 240 CFM



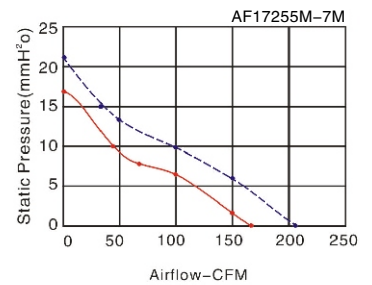
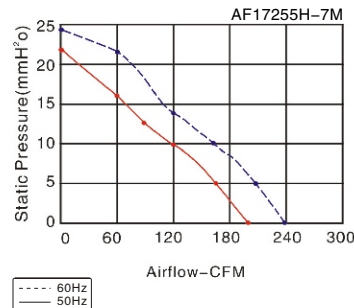
材料 Material

外框 Frame: Aluminum alloy
 风叶 Impeller: Iron leaf
 马达 Motor: Shaded pole external rotor induction motor
 连接方式 Connection: Lead wire or terminal type

开孔尺寸 Panel Cut-outs



曲线图 Characteristic Curves



技术参数 Specifications

Model (型号)	Bearing system (轴承型式)	Voltage VAC (电压)	Freq. Hz (频率)	Current A (电流)	Power W (功率)	Speed RPM (转速)	Noise dBA (噪音)	Air Flow(风量)		Phase (相数)	Capacitor (电容)
								M3/hr	CFM		
AF17255HA,B-7M	Ball	100-120	50/60	0.6	46	2700/3100	50/54	340/408	200/240	1	/
AF17255HA ₂ ,B-7M		200-240	50/60	0.3	46	2700/3100	50/54	340/408	200/240	1	/
AF17255MA,B-7M		100-120	50/60	0.5	42	2400/2800	47/50	289/355	289/355	1	/
AF17255MA ₂ ,B-7M		200-240	50/60	0.26	42	2400/2800	47/50	289/355	289/355	1	/