

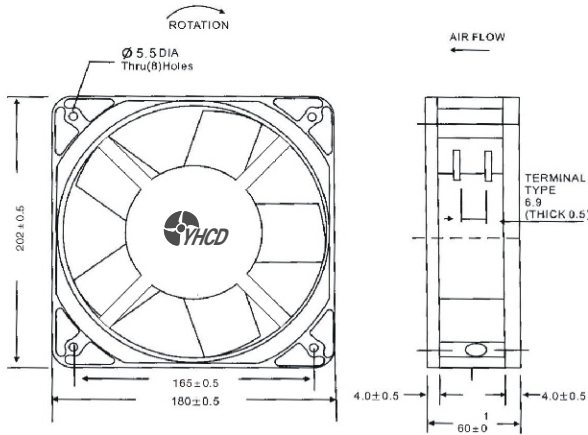
产品说明 General Data

耐压Dielectric withstand voltage: AC 1500V (50/60Hz) one minute
 安全保护Protection: Impedance protection or thermal protection
 工作温度Operating Temperature: Ball bearing: -20°C~+75°C
 使用寿命Life Expectancy: Ball bearing: over 40000 hr. (At 40°C)
 安规认证Safety: UL>CUL>TUV>CE>CCC
 重量Weight: 1600g



尺寸图 Outline

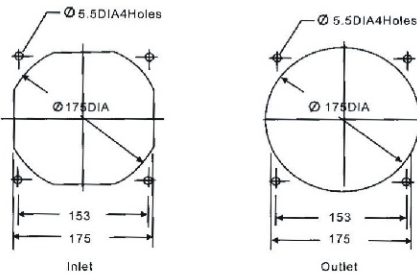
风量Airflow: 720 ~ 830m³/hr 420-490CFM



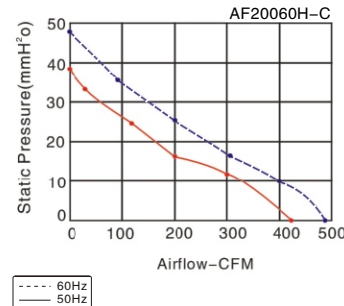
材料 Material

外框 Frame: Aluminum alloy
 风叶 Impeller: Plastic 94V-0 PBT covering glass fiber
 马达 Motor: Shaded pole induction motor
 连接方式Connection: Lead wire or terminal type

开孔尺寸 Panel Cut-outs



曲线图 Characteristic Curves



技术参数 Specifications

Model (型号)	Bearing system (轴承型式)	Voltage VAC (电压)	Freq. Hz (频率)	Current A (电流)	Power W (功率)	Speed RPM (转速)	Noise dBA (噪音)	Air Flow(风量)		Phase (相数)	Capacitor (电容)
								M3/hr	CFM		
AF20060HA ₁ B-C	Ball	100-120	50/60	0.4	60	2500-2800	63/68	720/830	420/490	1	3.3uf/250v
AF20060HA ₂ B-C		200-240	50/60	0.3	60	2500-2800	63/68	720/830	420/490	1	1uf/500v
AF20060HA ₃ B-C		380-420	50/60	0.2	60	2600-2900	65/70	720/830	420/490	1	1uf/500v
AF20060HA ₄ B-C		380-420	50/60	0.2	60	2600-2900	65/70	720/830	420/490	3	/