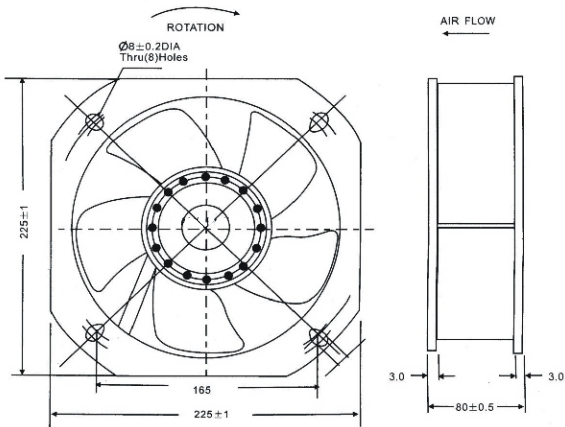


产品说明 General Data

耐压Dielectric withstand voltage: AC 1500V (50/60Hz) one minute
 安全保护Protection: Impedance protection or thermal protection
 工作温度Operating Temperature: Ball bearing: -10°C~+105°C
 使用寿命Life Expectancy: Ball bearing: over 40000 hr. (At40°C)
 安规认证Safety: UL>CUL>TUV>CE>CCC
 重量Weight: 2100g



尺寸图 Outline

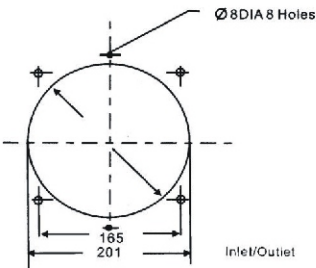


风量Airflow: 1000 ~ 1150m³/hr 558-676CFM
 相同产品The some of product: **200FZY-S**

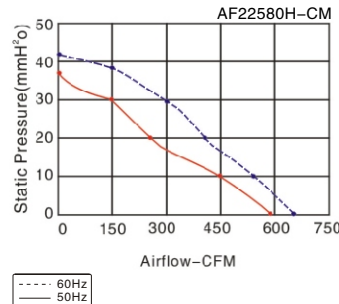
材料 Material

外框 Frame: Aluminum alloy
 风叶 Impeller: Iron leaf
 马达 Motor: Capacitor-run external rotor induction motor
 连接方式Connection: The mostable wire

开孔尺寸 Panel Cut-outs



曲线图 Characteristic Curves



技术参数 Specifications

Model (型号)	Bearing system (轴承型式)	Voltage VAC (电压)	Freq. Hz (频率)	Current A (电流)	Power W (功率)	Speed RPM (转速)	Noise dBA (噪音)	Air Flow(风量)		Phase (相数)	Capacitor (电容)
								M3/hr	CFM		
AF22580HA ₁ B-CM	Ball	100-120	50/60	0.7	80	2500/2850	65/68	1000/1150	588/676	1	4.0uf/250v
AF22580HA ₂ B-CM		200-240	50/60	0.4	80	2500/2850	65/68	1000/1150	588/676	1	2.2uf/400v
AF22580HA ₃ B-CM	Ball	380-420	50/60	0.32	80	2500/2850	65/68	1000/1150	588/676	1	2.2uf/630v
AF22580HA ₄ B-CM		380-420	50/60	0.28	80	2500/2850	65/68	1000/1150	588/676	3	/