

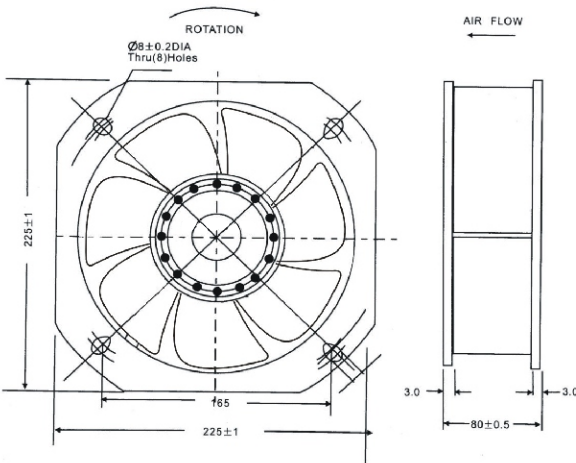
**产品说明 General Data**

耐压Dielectric withstand voltage:AC 1500V (50/60Hz) one minute  
 安全保护Protection:Impedance protection or thermal protection  
 工作温度Operating Temperature: Ball bearing: -10℃~+105℃  
 使用寿命Life Expectancy: Ball bearing:over 40000 hr.(At40℃)  
 安规认证Safety: UL>CUL>TUV>CE>CCC  
 重量Weight: 2150g



风量Airflow:1050 ~ 1290m3/hr 618-760CFM  
 相同产品The some of product:**200FZY-S-7**

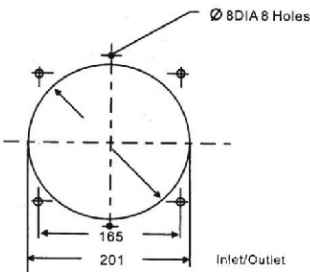
**尺寸图 Outline**



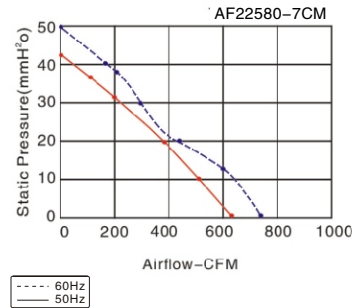
**材料 Material**

外框 Frame: Aluminum alloy  
 风叶 Impeller: Iron leaf  
 马达 Motor: Capacitor-run external rotor induction motor  
 连接方式Connection: The most stable wire

**开孔尺寸 Panel Cut-outs**



**曲线图 Characteristic Curves**



**技术参数 Specifications**

Model (型号)	Bearing system (轴承型式)	Voltage VAC (电压)	Freq. Hz (频率)	Current A (电流)	Power W (功率)	Speed RPM (转速)	Noise dBA (噪音)	Air Flow( 风量 )		Phase (相数)	Capacitor (电容)
								M3/hr	CFM		
AF22580HA <sub>1</sub> BL-7CM	Ball	100-120	50/60	0.74	80	2500/2850	63/66	1050/1290	618/760	1	4.0uf/250v
AF22580HA <sub>2</sub> BL-7CM		200-240	50/60	0.4	80	2500/2850	63/66	1050/1290	618/760	1	2.2uf/500v
AF22580HA <sub>3</sub> BL-7CM		380-420	50/60	0.32	80	2500/2850	63/66	1050/1290	618/760	1	2.2uf/500v
AF22580HA <sub>4</sub> BL-7CM		380-420	50/60	0.28	80	2500/2850	63/66	1050/1290	618/760	3	/