

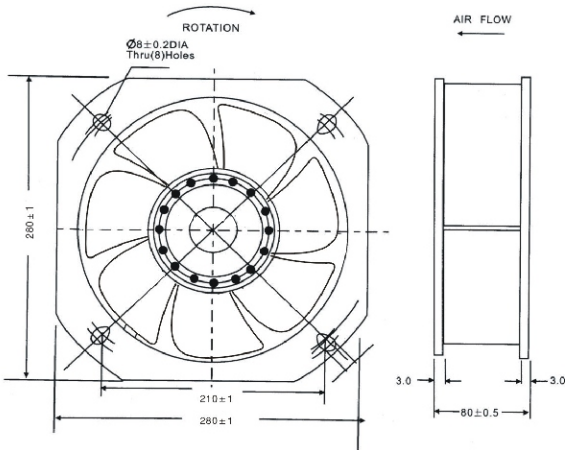
产品说明 General Data

耐压Dielectric withstand voltage:AC 1500V (50/60Hz) one minute
 安全保护Protection:Impedance protection or thermal protection
 工作温度Operating Temperature: Ball bearing: -10℃~+105℃
 使用寿命Life Expectancy: Ball bearing:over 40000 hr.(At40℃)
 安规认证Safety: UL>CUL>TUV>CE>CCC
 重量Weight: 2800g



尺寸图 Outline

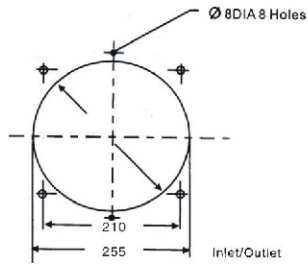
风量Airflow:2280 ~ 2570m³/hr 1341-1512CFM



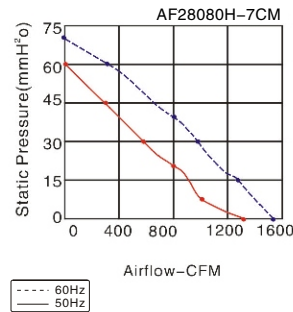
材料 Material

外框 Frame: Aluminum alloy
 风叶 Impeller: Iron leaf
 马达 Motor: Capacitor-run external rotor induction motor
 连接方式Connection: The most stable wire

开孔尺寸 Panel Cut-outs



曲线图 Characteristic Curves



技术参数 Specifications

Model (型号)	Bearing system (轴承型式)	Voltage VAC (电压)	Freq. Hz (频率)	Current A (电流)	Power W (功率)	Speed RPM (转速)	Noise dBA (噪音)	Air Flow(风量)		Phase (相数)	Capacitor (电容)
								M3/hr	CFM		
AF28080HA ₁ -7CM	Ball	100-120	50/60	1.2	120	2400/2650	65/70	2280/2570	1341/1512	1	4.0uf/250v
AF28080HA ₂ -7CM		200-240	50/60	0.55	120	2400/2650	65/70	2280/2570	1341/1512	1	2.0uf/500v
AF28080HA ₃ -7CM		380-420	50/60	0.36	120	2400/2650	65/70	2280/2570	1341/1512	1	2.0uf/500v
AF28080HA ₄ -7CM		380-420	50/60	0.32	120	2400/2650	65/70	2280/2570	1341/1512	3	/