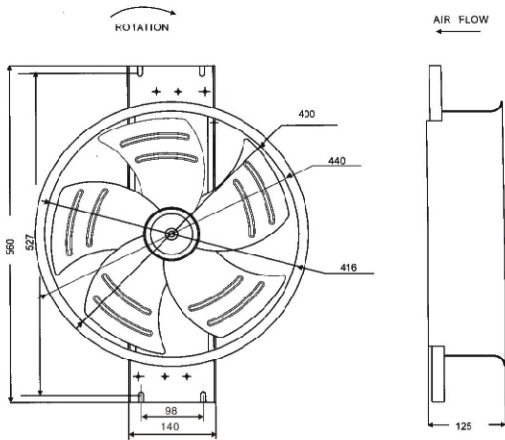


产品说明 General Data

耐压Dielectric withstand voltage: AC 1500V (50/60Hz) one minute
 安全保护Protection: Impedance protection or thermal protection
 工作温度Operating Temperature: Ball bearing: -10℃~+105℃
 使用寿命Life Expectancy: Ball bearing: over 40000 hr. (At 40℃)
 安规认证Safety: TUV>CE>CCC
 重量Weight: 8000g

尺寸图 Outline

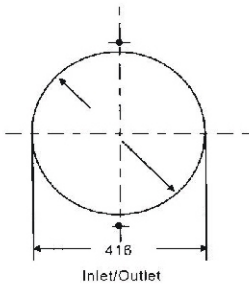


风量Airflow: 3360 ~ 4400m³/hr 1977~2589CFM
 相同产品The some of product: **400FZY-D**

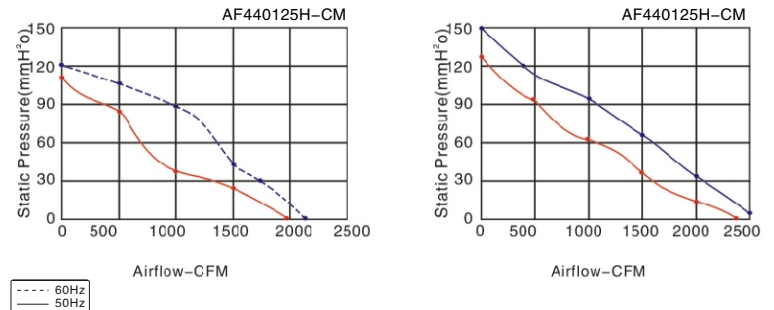
材料 Material

外框 Frame: All metal
 风叶 Impeller: Iron leaf
 马达 Motor: Capacitor-run external rotor induction motor
 连接方式Connection: The most stable wire

开孔尺寸 Panel Cut-outs



曲线图 Characteristic Curves



技术参数 Specifications

Model (型号)	Bearing system (轴承型式)	Voltage VAC (电压)	Freq. Hz (频率)	Current A (电流)	Power W (功率)	Speed RPM (转速)	Noise dBA (噪音)	Air Flow(风量)		Phase (相数)	Capacitor (电容)
								M3/hr	CFM		
AF440125MA ₂ B-CM	Ball	200-240	50/60	0.8	180	1400/1560	68/70	4080/4400	2400/2589	1	6.0uf/500v
AF440125MA ₃ B-CM		380-420	50/60	0.45	180	1400/1560	68/70	4080/4400	2400/2589	1	3.0uf/630v
AF440125MA ₁ B-CM		380-420	50/60	0.4	180	1400/1560	68/70	4080/4400	2400/2589	3	/
AF440125HA ₂ B-CM		200-240	50/60	0.5	112	950/1050	58/61	3360/3620	1977/2130	1	4.0uf/500v
AF440125HA ₃ B-CM		380-420	50/60	0.4	112	950/1050	58/61	3360/3620	1977/2130	1	2.2uf/500v
AF440125HA ₁ B-CM		380-420	50/60	0.35	112	950/1050	58/61	3360/3620	1977/2130	3	/