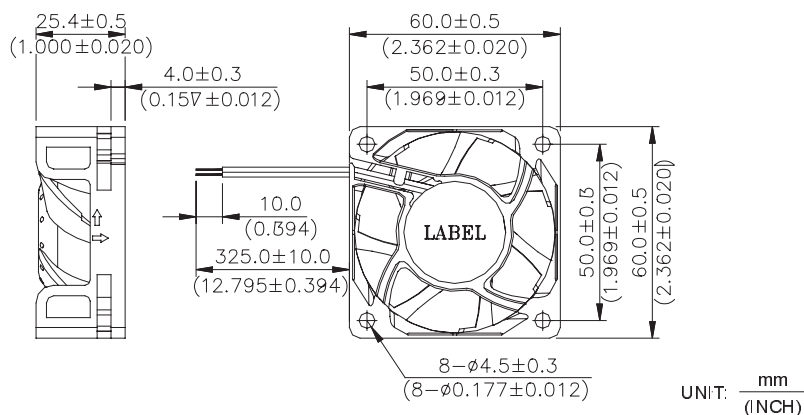


New

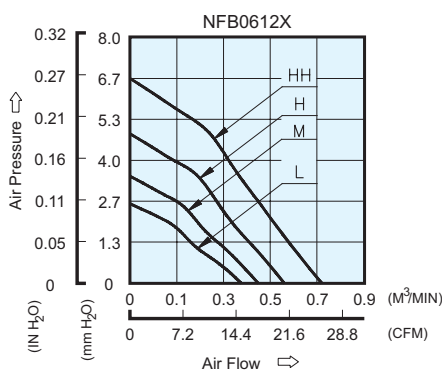


- \* Bearing Type  
Ball Bearings
- \* Material  
Impeller & Frame : Plastic (UL 94V-0)
- \* Lead Wires :  
UL 1007 AWG #24 OR Equivalent  
Red Wire Positive (+)  
Black Wire Negative (-)
- \* Weight : 67g (2.36 oz)

### ■ DIMENSIONS DRAWING



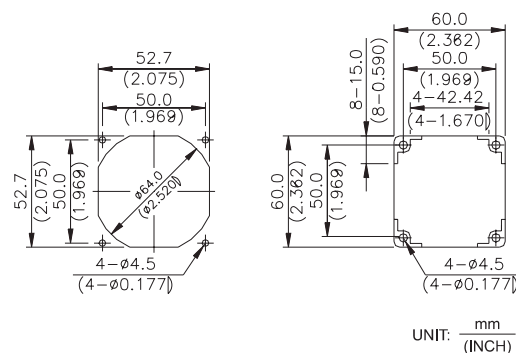
### ■ P & Q CURVE (AT RATED VOLTAGE)



### ■ MOUNTING PANEL CUTOUT

OUTLET SIDE

INLET SIDE



MODEL		Rated Voltage	Operating Voltage Range	Rated Current	Rated Input Power	Speed	Maximum Air Flow		Maximum Air Pressure		Noise
PART NO.	FUNCTION	VDC	VDC	Amp	Watt	R.P.M.	m <sup>3</sup> /min	CFM	mmH <sub>2</sub> O	IN H <sub>2</sub> O	dB-A
NFB0612L	-R00 / -F00	12	4.0 to 13.8	0.07	0.84	3100	0.427	15.08	2.58	0.101	26.4
NFB0612M	-R00 / -F00	12	4.0 to 13.8	0.09	1.08	3600	0.493	17.41	3.48	0.137	31.3
NFB0612H	-R00 / -F00	12	4.0 to 13.8	0.13	1.56	4250	0.594	20.98	4.89	0.192	35.1
NFB0612HH	-R00 / -F00	12	4.0 to 13.8	0.18	2.16	5000	0.705	24.90	6.66	0.262	40.7

- \* Function type is optional.
- \* The max. air flow and the speed are measured in free air ; max. air pressure is measured at zero air flow.
- \* Noise is measured in anechoic chamber in free air, one meter from intake side.
- \* All readings are typical values at rated voltage.
- \* Specifications are subject to change without notice.

北京永宏诚大机电设备有限责任公司

电话:86-10-66131492  
传真:86-10-66162242