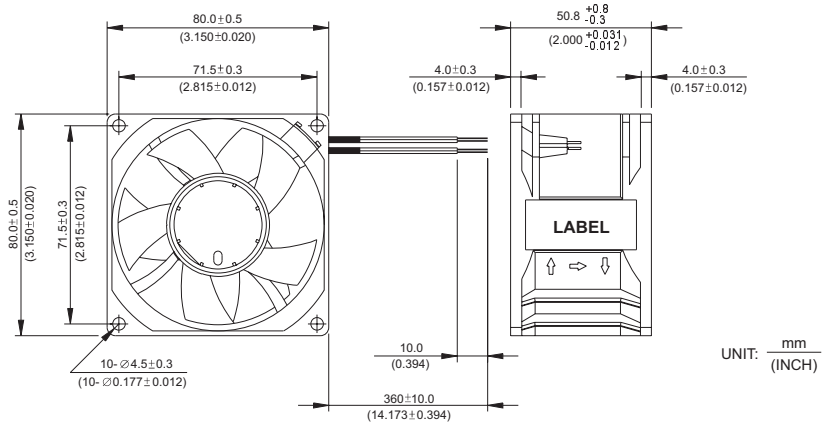


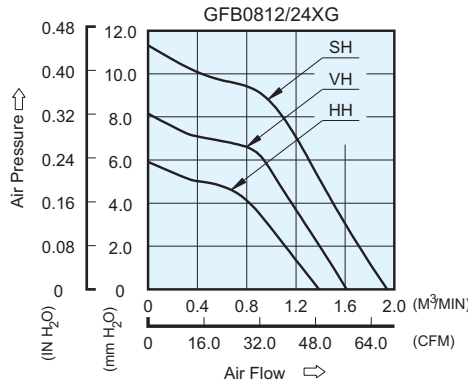


- \* Bearing Type  
Ball Bearings
- \* Material  
Impeller & Frame : Plastic(UL 94V-0)
- \* Lead Wires :  
UL 1061 AWG #24 OR Equivalent  
Red Wire Positive(+)  
Black Wire Negative(-)
- \* Weight : 165g (5.82 OZ)

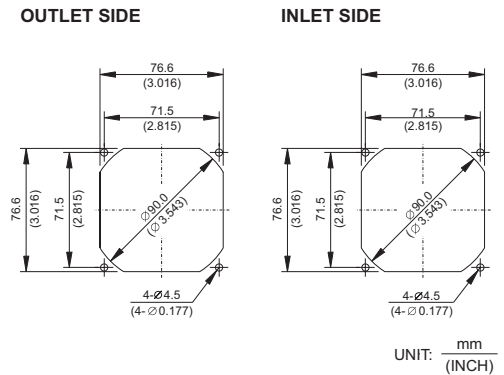
■ DIMENSIONS DRAWING



■ P & Q CURVE (AT RATED VOLTAGE)



■ MOUNTING PANEL CUTOUT



MODEL		Rated Voltage	Operating Voltage Range	Rated Current	Rated Input Power	Speed	Maximum Air Flow		Maximum Air Pressure		Noise
PART NO.	FUNCTION	VDC	VDC	Amp	Watt	R.P.M.	M³/min	CFM	mmH <sub>2</sub> O	IN H <sub>2</sub> O	dB-A
GFB0812HHG	-R00 / -F00	12	7.0 to 13.2	0.31	3.72	3100	1.388	49.02	5.91	0.233	43.0
GFB0824HHG	-R00 / -F00	24	14.0 to 27.6	0.18	4.32						
GFB0812VHG	-R00 / -F00	12	7.0 to 13.2	0.47	5.64	3600	1.612	56.93	8.15	0.321	47.5
GFB0824VHG	-R00 / -F00	24	14.0 to 27.6	0.24	5.76						
GFB0812SHG	-R00 / -F00	12	7.0 to 13.2	0.73	8.76	4200	1.942	68.58	11.32	0.445	53.0
GFB0824SHG	-R00 / -F00	24	14.0 to 27.6	0.37	8.88						

\* Function type is optional.  
 \* The max. air flow and the speed are measured in free air ; max. air pressure is measured at zero air flow.  
 \* Noise is measured in anechoic chamber in free air, one meter from intake side.  
 \* All readings are typical values at rated voltage.  
 \* Specifications are subject to change without notice.

北京永宏诚大机电设备有限公司 电话:86-10-66131492  
 传真:86-10-66162242