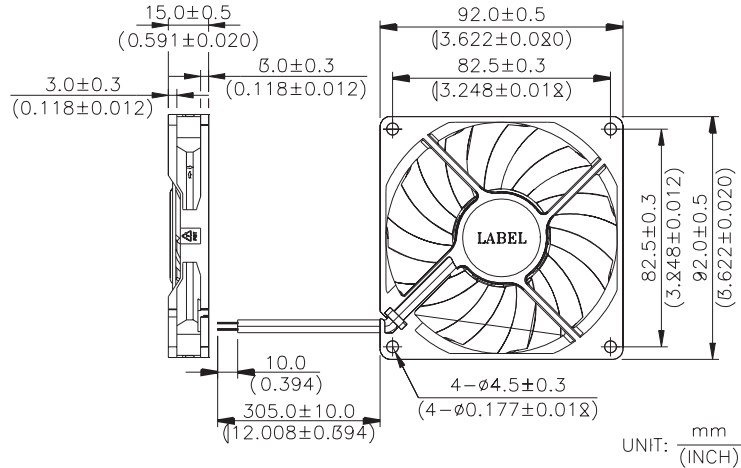


New

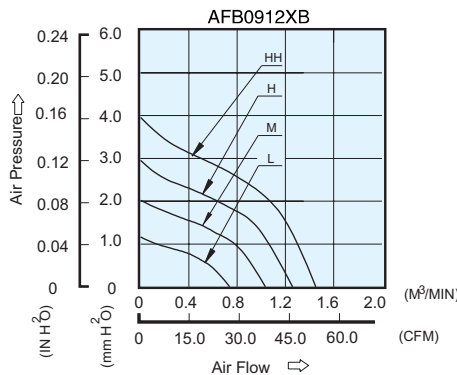


- * Bearing Type
Two Ball Bearings
- * Material
Impeller & Frame : Plastic(UL 94V-0)
- * Lead Wires :
UL 1007 AWG #24 OR Equivalent
Red Wire Positive(+)
Black Wire Negative(-)
- * Weight : 68g (2.39 OZ)
- * Rib Type Only

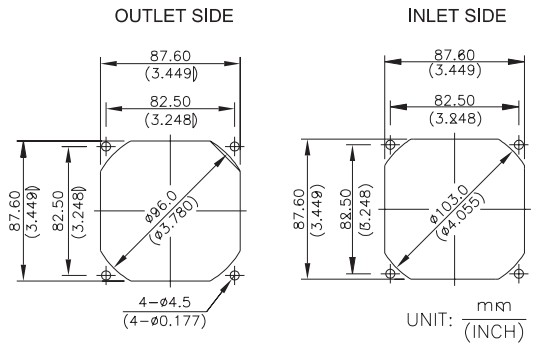
■ DIMENSIONS DRAWING



■ P & Q CURVE (AT RATED VOLTAGE)



■ MOUNTING PANEL CUTOUT



| MODEL | | Rated Voltage | Operating Voltage Range | Rated Current | Rated Input Power | Speed | Maximum Air Flow | | Maximum Air Pressure | | Noise |
|------------|-------------|---------------|-------------------------|---------------|-------------------|--------|---------------------|-------|----------------------|---------------------|-------|
| PART NO. | FUNCTION | VDC | VDC | Amp | Watt | R.P.M. | m ³ /min | CFM | mmH ₂ O | IN H ₂ O | dB-A |
| AFB0912LB | -R00 / -F00 | 12 | 4.0 to 13.8 | 0.10 | 1.20 | 1800 | 0.739 | 26.09 | 1.16 | 0.045 | 25.0 |
| AFB0912MB | -R00 / -F00 | 12 | 4.0 to 13.8 | 0.13 | 1.56 | 2300 | 1.035 | 36.55 | 2.02 | 0.079 | 32.5 |
| AFB0912HB | -R00 / -F00 | 12 | 4.0 to 13.8 | 0.21 | 2.52 | 2800 | 1.260 | 44.49 | 2.95 | 0.116 | 37.5 |
| AFB0912HNB | -R00 / -F00 | 12 | 4.0 to 12.6 | 0.31 | 3.72 | 3300 | 1.453 | 51.53 | 3.96 | 0.156 | 41.5 |

* Function type is optional.
 * The max. air flow and the speed are measured in free air ; max. air pressure is measured at zero air flow.
 * Noise is measured in anechoic chamber in free air, one meter from intake side.
 * All readings are typical values at rated voltage.
 * Specifications are subject to change without notice.

北京永宏诚大机电设备有限公司 电话:86-10-66131492
 传真:86-10-66162242