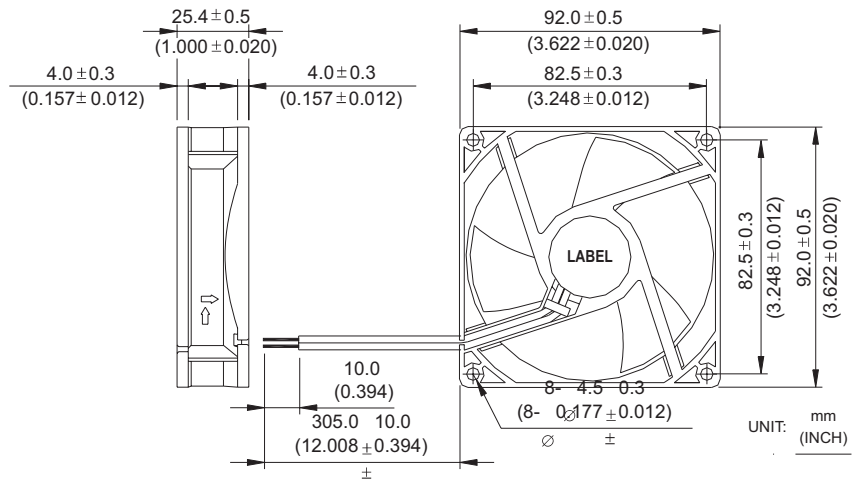


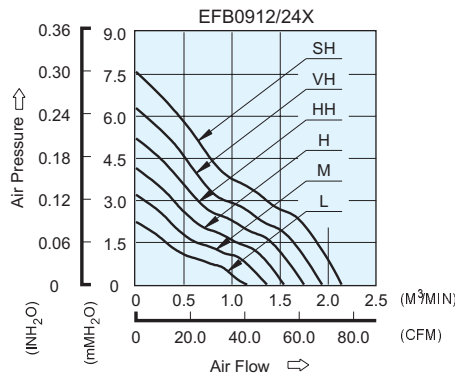


- * Bearing Type
Ball Bearings
- * Material
Impeller & Frame : Plastic(UL 94V-0)
- * Lead Wires :
UL 1007 AWG #24 OR Equivalent
Red Wire Positive(+)
Black Wire Negative(-)
- * Weight : 96g (3.39 OZ)

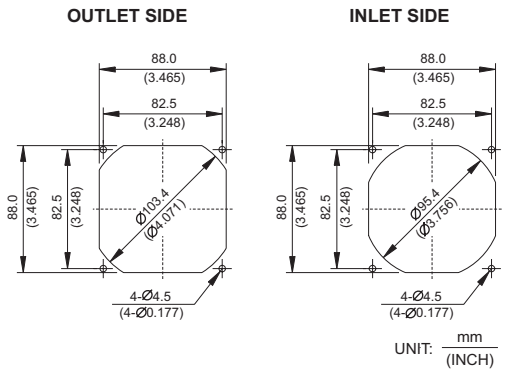
■ DIMENSIONS DRAWING



■ P & Q CURVE (AT RATED VOLTAGE)



■ MOUNTING PANEL CUTOUT



MODEL		Rated Voltage	Operating Voltage Range	Rated Current	Rated Input Power	Speed	Maximum Air Flow		Maximum Air Pressure		Noise
PART NO.	FUNCTION	VDC	VDC	Amp	Watt	R.P.M	m ³ /min	CFM	mmH ₂ O	IN H ₂ O	dB-A
EFB0912L	-R00 / -F00	12	7.0 to 13.8	0.10	1.20	2300	1.150	40.60	2.23	0.088	29.5
EFB0924L	-R00 / -F00	24	14.0 to 27.6	0.05	1.20						
EFB0912M	-R00 / -F00	12	7.0 to 13.8	0.16	1.92	2800	1.320	46.60	3.24	0.127	34.0
EFB0924M	-R00 / -F00	24	14.0 to 27.6	0.08	1.92						
EFB0912H	-R00 / -F00	12	7.0 to 13.8	0.20	2.40	3200	1.542	54.44	4.15	0.163	37.5
EFB0924H	-R00 / -F00	24	14.0 to 27.6	0.10	2.40						
EFB0912HH	-R00 / -F00	12	7.0 to 13.8	0.28	3.36	3600	1.746	61.65	5.21	0.205	41.0
EFB0924HH	-R00 / -F00	24	14.0 to 27.6	0.14	3.36						
EFB0912VH	-R00 / -F00	12	7.0 to 13.8	0.36	4.32	4000	1.936	68.36	6.30	0.248	44.0
EFB0924VH	-R00 / -F00	24	14.0 to 27.6	0.18	4.32						
EFB0912SH	-R00 / -F00	12	7.0 to 13.8	0.50	6.00	4400	2.141	75.59	7.58	0.298	47.0
EFB0924SH	-R00 / -F00	24	14.0 to 27.0	0.25	6.00						