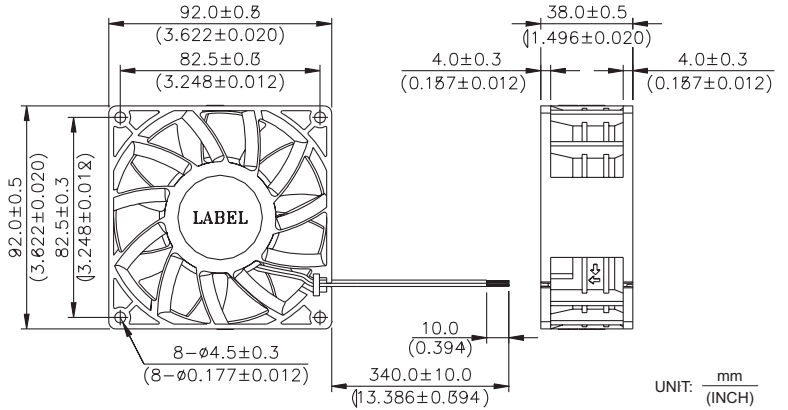


New

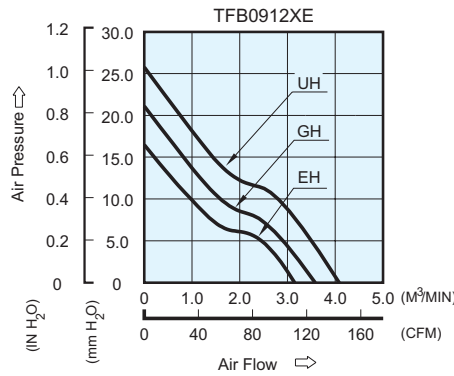


- * Bearing Type
Ball Bearings
- * Material
Impeller & Frame : Plastic (UL 94V-0)
- * Lead Wires :
UL 1007 AWG #24 OR Equivalent
Red Wire Positive(+)
Black Wire Negative(-)
- * Weight : 195g (6.88 OZ)

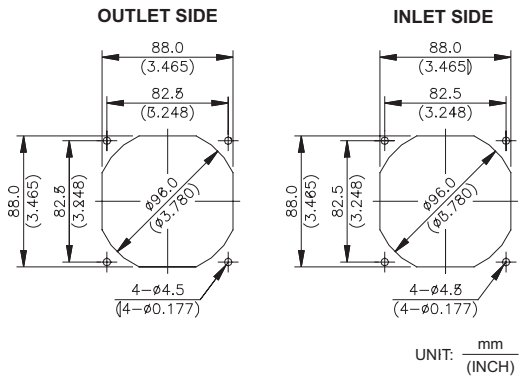
■ DIMENSIONS DRAWING



■ P & Q CURVE (AT RATED VOLTAGE)



■ MOUNTING PANEL CUTOUT



MODEL		Rated Voltage	Operating Voltage Range	Rated Current	Rated Input Power	Speed	Maximum Air Flow		Maximum Air Pressure		Noise
PART NO.	FUNCTION	VDC	VDC	Amp	Watt	R.P.M.	m ³ /min	CFM	mmH ₂ O	IN H ₂ O	dB-A
TFB0912EHE	-R00 / -F00	12	7.0 to 13.2	1.00	12.00	4800	3.150	111.26	16.47	0.648	56.7
TFB0912GHE	-R00 / -F00	12	7.0 to 13.2	1.35	16.20	5400	3.581	126.48	21.10	0.830	59.2
TFB0912UHE	-R00 / -F00	12	7.0 to 13.2	1.90	22.80	6000	4.028	142.20	25.05	0.989	62.0

* Function type is optional.
 * The max. air flow and the speed are measured in free air ; max. air pressure is measured at zero air flow.
 * Noise is measured in anechoic chamber in free air, one meter from intake side.
 * All readings are typical values at rated voltage.
 * Specifications are subject to change without notice.