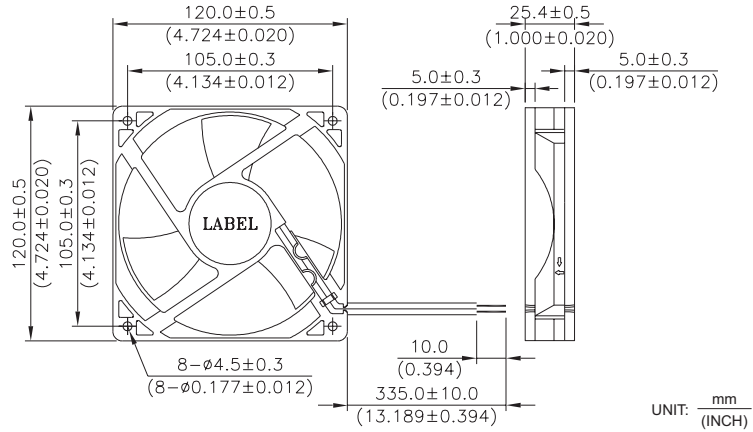
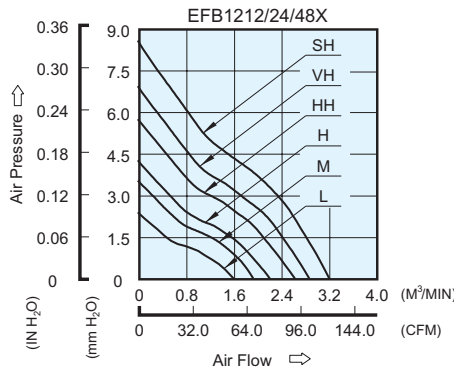
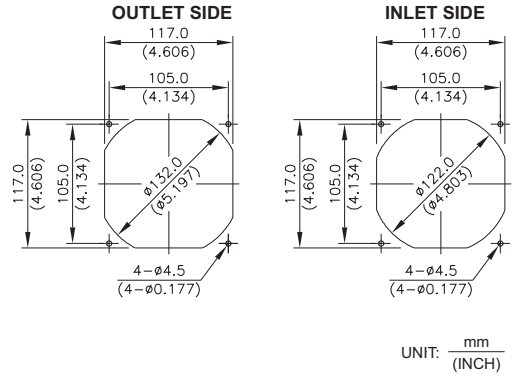


**■ DIMENSIONS DRAWING**


- \* Bearing Type  
Ball Bearings
- \* Material  
Impeller & Frame : Plastic (UL 94V-0)
- \* Lead Wires :  
UL 1007 AWG #24 OR Equivalent  
Red Wire Positive (+)  
Black Wire Negative (-)
- \* Weight : 184g (6.49 oz)

**■ P & Q CURVE (AT RATED VOLTAGE)**

**■ MOUNTING PANEL CUTOUT**


MODEL		Rated Voltage	Operating Voltage Range	Rated Current	Rated Input Power	Speed	Maximum Air Flow		Maximum Air Pressure		Noise
PART NO.	FUNCTION	VDC	VDC	Amp	Watt	R.P.M.	m <sup>3</sup> /min	CFM	mmH O	IN H O	dB-A
EFB1212L	-R00 / -F00	12	7.0 to 13.8	0.14	1.68	1950	1.620	57.21	2.54	0.100	31.0
EFB1224L	-R00 / -F00	24	14.0 to 27.6	0.07	1.68						
EFB1248L	-R00 / -F00	48	28.0 to 56.0	0.04	1.92						
EFB1212M	-R00 / -F00	12	7.0 to 13.8	0.17	2.04	2300	1.950	68.86	3.53	0.139	34.0
EFB1224M	-R00 / -F00	24	14.0 to 27.6	0.09	2.16						
EFB1248M	-R00 / -F00	48	28.0 to 56.0	0.05	2.40						
EFB1212H	-R00 / -F00	12	7.0 to 13.8	0.27	3.24	2670	2.330	82.28	4.67	0.184	39.0
EFB1224H	-R00 / -F00	24	14.0 to 27.6	0.14	3.36						
EFB1248H	-R00 / -F00	48	28.0 to 56.0	0.07	3.36						
EFB1212HH	-R00 / -F00	12	7.0 to 13.8	0.30	3.60	3000	2.650	93.58	5.75	0.226	42.5
EFB1224HH	-R00 / -F00	24	14.0 to 27.6	0.15	3.60						
EFB1248HH	-R00 / -F00	48	28.0 to 56.0	0.08	3.84						
EFB1212VH	-R00 / -F00	12	7.0 to 13.8	0.40	4.80	3300	2.890	102.06	6.94	0.273	45.5
EFB1224VH	-R00 / -F00	24	14.0 to 27.6	0.20	4.80						
EFB1248VH	-R00 / -F00	48	28.0 to 56.0	0.10	4.80						
EFB1212SH	-R00 / -F00	12	7.0 to 13.8	0.50	6.00	3700	3.230	114.07	8.58	0.338	48.5
EFB1224SH	-R00 / -F00	24	14.0 to 27.6	0.25	6.00						
EFB1248SH	-R00 / -F00	48	28.0 to 56.0	0.14	6.72						