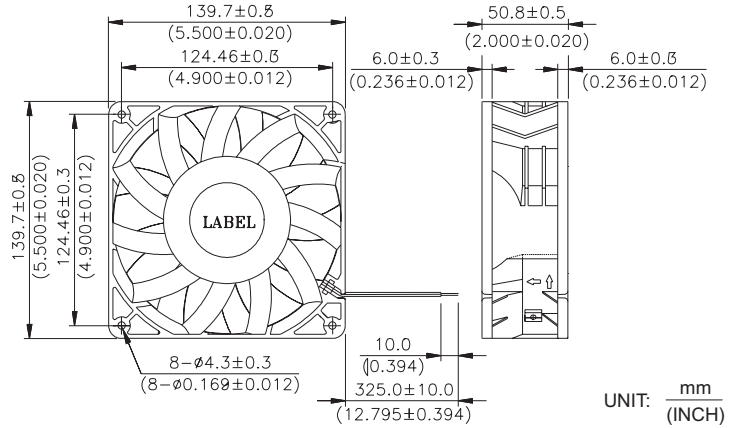




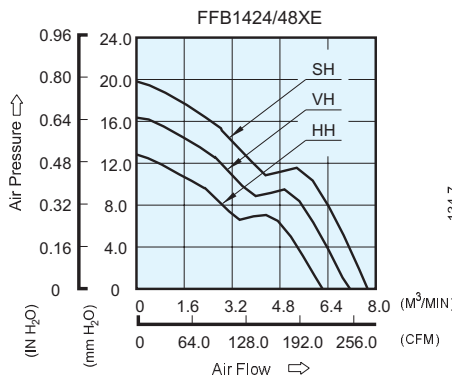
- * Bearing Type
Ball Bearings
- * Material
Impeller & Frame : Plastic (UL 94V-0)
- * Lead Wires :
UL 1430 AWG #22 OR Equivalent
Red Wire Positive (+)
Black Wire Negative (-)
- * Weight : 670g (23.63 oz)

■ DIMENSIONS DRAWING

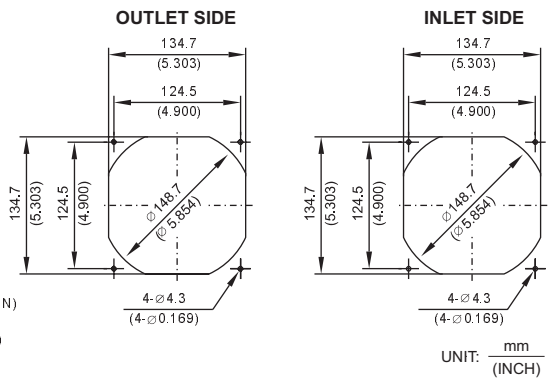


UNIT: $\frac{\text{mm}}{\text{(INCH)}}$

■ P & Q CURVE (AT RATED VOLTAGE)



■ MOUNTING PANEL CUTOUT



UNIT: $\frac{\text{mm}}{\text{(INCH)}}$

MODEL		Rated Voltage	Operating Voltage Range	Rated Current	Rated Input Power	Speed	Maximum Air Flow		Maximum Air Pressure		Noise
PART NO.	FUNCTION	VDC	VDC	Amp	Watt	R.P.M	m ³ /min	CFM	mmH ₂ O	IN H ₂ O	dB-A
FFB1424HHG	-R00 / -F00	24	14.0 to 26.4	0.71	17.04	2800	6.222	219.73	12.84	0.506	54.5
FFB1448HHG	-R00 / -F00	48	28.0 to 53.0	0.36	17.28						
FFB1424VHG	-R00 / -F00	24	14.0 to 26.4	0.91	21.84	3200	7.139	252.11	16.36	0.644	58.5
FFB1448VHG	-R00 / -F00	48	28.0 to 53.0	0.50	24.00						
FFB1424SHG	-R00 / -F00	24	14.0 to 26.4	1.53	36.72	3600	7.733	273.09	19.84	0.781	61.7
FFB1448SHG	-R00 / -F00	48	28.0 to 53.0	0.77	36.96						

* Function type is optional.
 * The max. air flow and the speed are measured in free air ; max. air pressure is measured at zero air flow.
 * Noise is measured in anechoic chamber in free air, one meter from intake side.
 * All readings are typical values at rated voltage.
 * Specifications are subject to change without notice.

北京永宏诚大机电设备有限责任公司 电话:86-10-66131492
 传真:86-10-66162242