

**AC Fan Motors**

**Pico Ace** □ **60mm**  
Pico Ace

Compact and silent, lead type, and best suited for small precision equipment

**General specifications**

- Motor construction ..... Shaded pole motor
- Motor protection system ..... Impedance protection
- Dielectric strength ..... 50/60 Hz, 1500 VAC, 1 minute  
(between lead conductor and frame)
- Operating voltage range ..... +10%



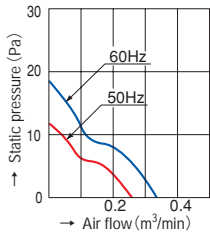
**28mm** thick

**Specifications** (Operating thermally range -30°C to +70°C)

Model	Voltage (V)	Frequency (Hz)	Input (W)	Current (A)	Bound current (A)	Rotating speed (min <sup>-1</sup> )	Air flow (m <sup>3</sup> /min) (CFM)	Static pressure (Pa)	Noise (dB[A])	Mass (g)
109-180	100	50/60	5/4	0.06/0.05	0.07/0.06	2250/2700	0.27/0.33 9.5/11.7	11.8/18.6	24/26	120
109-183	115									

AC Fan Motors

**Typical air flow and static pressure characteristics**



109-180  
109-183

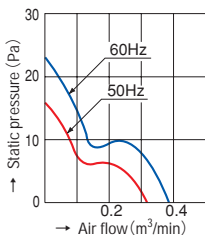
60mm

**38mm** thick

**Specifications** (Operating thermally range -30°C to +60°C)

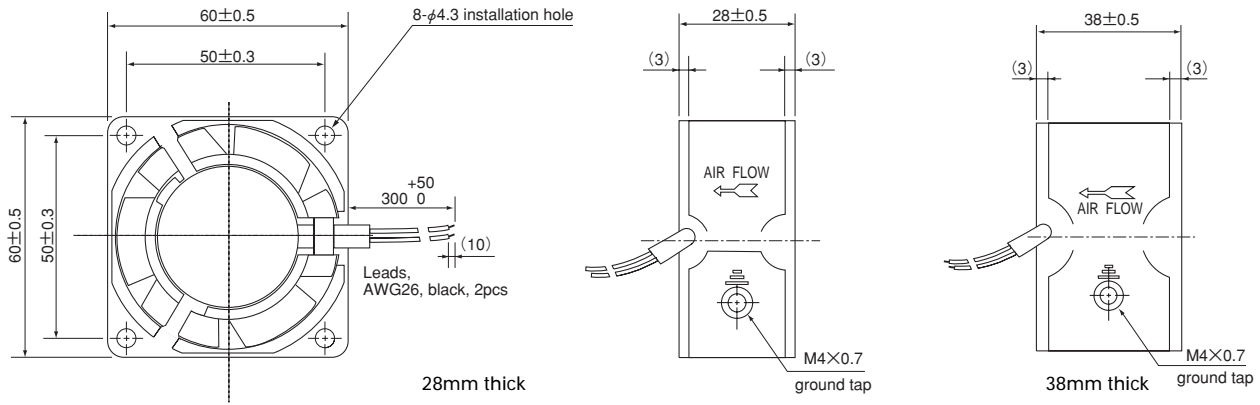
Model	Voltage (V)	Frequency (Hz)	Input (W)	Current (A)	Bound current (A)	Rotating speed (min <sup>-1</sup> )	Air flow (m <sup>3</sup> /min) (CFM)	Static pressure (Pa)	Noise (dB[A])	Mass (g)
109-130	100	50/60	6/5	0.08/0.07	0.08/0.07	2600/3150	0.33/0.4 11.7/14.1	16.3/23.3	28/30	170
109-133	115									

**Typical air flow and static pressure characteristics**

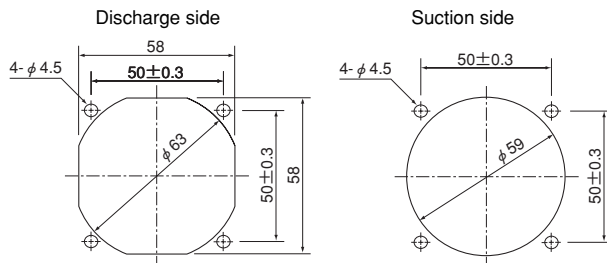


109-130  
109-133

## Dimensions (unit : mm)



## Reference dimensional diagram for installation holes (unit : mm)



## Wiring diagram

