

AC Fan Motors

SAN ACE □ 120mm

Alarm fans SAN ACE

Silent best-selling models

General specifications

- Motor construction Shaded pole motor
- Motor protection system Impedance protection
- Dielectric strength between AC input and DC input (alarm output) : 50/60 Hz, 1000 VAC, 1 minute
 between AC input and G : 50/60 Hz, 1500 VAC, 1 minute
 between G and DC input (alarm output) : 50/60 Hz, 1000 VAC, 1 minute
- Operating voltage range ±10% (motor)
- Plug cord For general; 489-016 (L10, L21)
 For UL/CSA 489-007 (L10, L21)
 489-047 (L10, L21)
 ※For the power cord, see page 113.



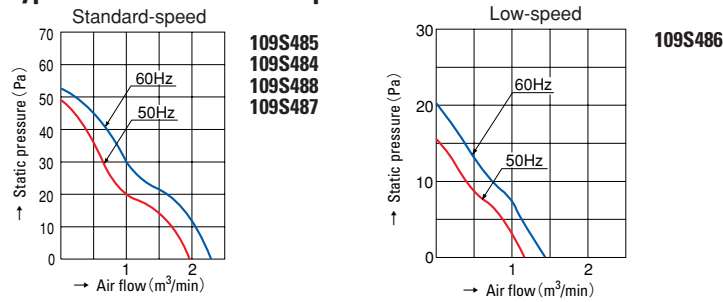
25mm thick Alarm SAN ACE 25

Specifications (Operating thermally range -10°C to +60°C)

Model	Voltage (V)	Frequency (Hz)	Input (W)	Current (A)	Bound current (A)	Rotating speed (min ⁻¹)	Air flow (m ³ /min) (CFM)	Static pressure (Pa)	Noise (dB[A])	Mass (g)
109S485	100	50/60	13.5/12	0.16/0.14	0.19/0.17	2500/2900	1.92/2.22 67.8/78.4	48/52	38/41	390
109S484	115			0.14/0.12	0.16/0.15					
109S488	200			0.08/0.07	0.1/0.09					
109S487	230			0.07/0.06	0.08/0.07					
※ 109S486	100			12/10	0.14/0.12					

※ represents low-speed.

Typical air flow and static pressure characteristics



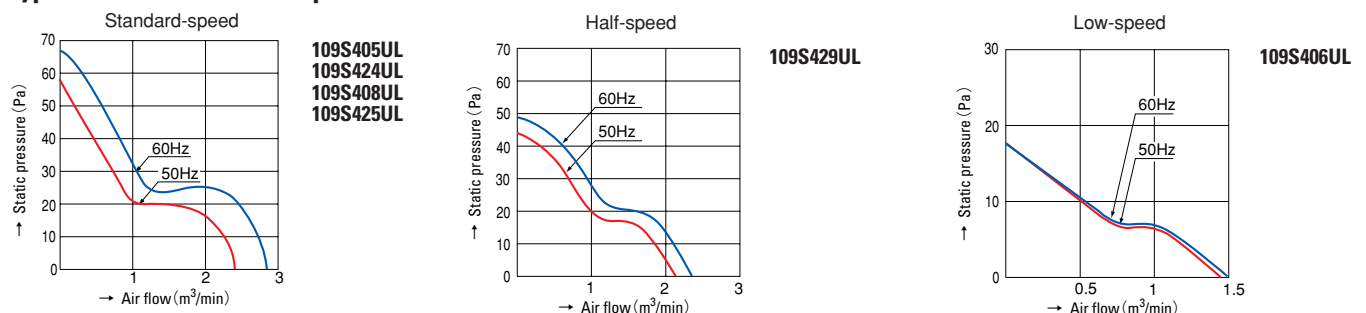
38mm thick Alarm SAN ACE 25

Specifications (Operating thermally range -10°C to +60°C)

Model	Voltage (V)	Frequency (Hz)	Input (W)	Current (A)	Bound current (A)	Rotating speed (min ⁻¹)	Air flow (m ³ /min) (CFM)	Static pressure (Pa)	Noise (dB[A])	Mass (g)
109S405UL	100	50/60	14/12	0.18/0.16	0.25/0.22	2700/3100	2.35/2.7 83/95.4	55.9/65.7	40/43	580
109S424UL	115			0.16/0.14	0.21/0.18					
109S408UL	200			0.09/0.08	0.13/0.11					
109S425UL	230			0.08/0.07	0.11/0.09					
☆ 109S429UL	100			0.18/0.16	0.23/0.21					
※ 109S406UL		7/6	0.09/0.08	0.1/0.09	1650/1700	1.45/1.5	51/53	17.7/17.7	28/28	

☆ represents half-speed. ※ represents low-speed.

Typical air flow and static pressure characteristics



AC Fan Motors

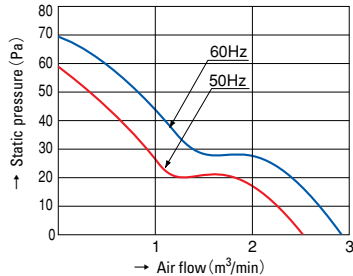
120mm

38mm thick Alarm New SAN ACE

Specifications

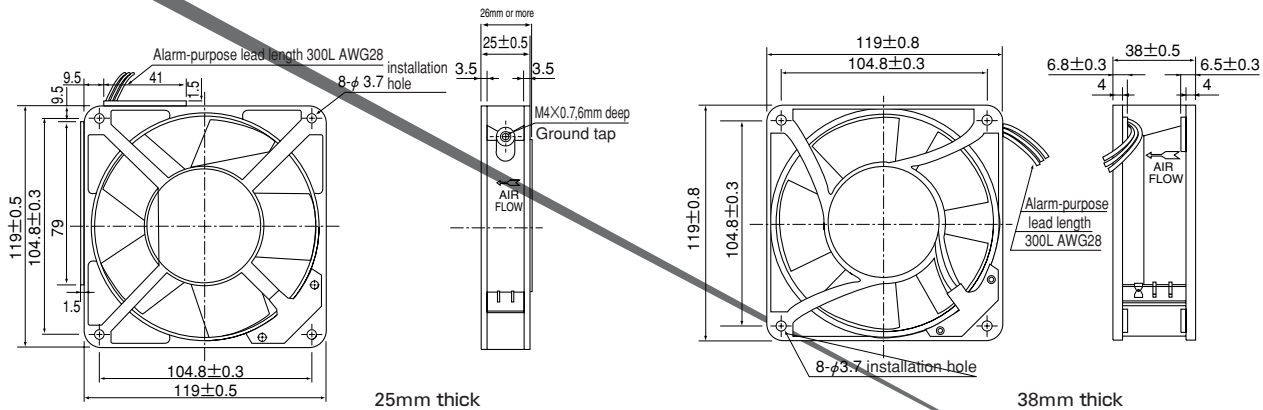
Model	Voltage (V)	Frequency (Hz)	Input (W)	Current (A)	Bound current (A)	Rotating speed (min ⁻¹)	Air flow (m ³ /min)	(CFM)	Static pressure (Pa)	Noise (dB[A])	Mass (g)
109S475UL	100	50/60	18/16	0.24/0.21	0.32/0.28	2700/3100	2.5/2.9	88.3/102.4	57.9/68.7	42/45	580
109S474UL	115			0.21/0.18	0.27/0.24						
109S478UL	200			0.12/0.1	0.16/0.14						
109S472UL	230			0.11/0.09	0.14/0.13						

Typical air flow and static pressure characteristics

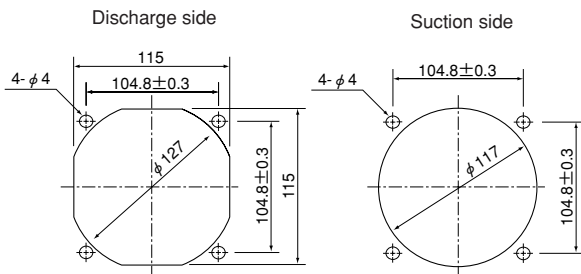


109S475UL
109S474UL
109S478UL
109S472UL

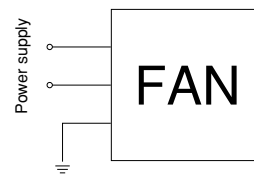
Reference dimensional diagram for installation holes (unit : mm)



Reference dimensional diagram for installation holes (unit : mm)



Wiring diagram



Notice Products listed on this catalog fall into the category of the cargoes specified in the Export Trade Control Ordinance (Attached Table1, Item 16). For the export of the above products, exporters are requested to implement export registration to the competent authorities, together with the study about "Information Requirements and Objective Requirements" under the Japanese equivalent of catchall controls

SANYO DENKI

1-15-1, Kita-otsuka, Toshima-ku, Tokyo 170-8451, Japan. PHONE : +81 3 3917 5151 Home Page: <http://www.sanyodenki.co.jp>

2004.1 Rev.C

北京永宏诚大机电设备有限责任公司

电话: 86-10-66131492
传真: 86-10-66162242