

**AC Fan Motors**

# Dyna Ace $\phi 172$ mm

Dyna Ace

**High-air-flowrate, high-static-pressure type and best suited for industrial equipment and computer peripherals**

**General specifications**

- Motor construction ..... Capacitor motor
  - Motor protection system ..... Thermal protection
  - Dielectric strength ..... 50/60 Hz, 1500 VAC, 1 minute  
(between input terminal and frame)
  - Operating voltage range ..... +10%
  - Plug cord ..... For UL/CSA 489-084 (L10, L21)  
489-086 (L10, L21)
- ※For the power cord, see page 113.



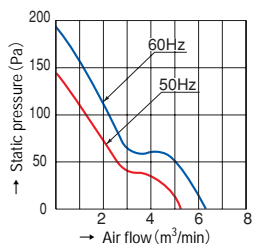
AC Fan Motors

**51** mm thick (Round type)

**Specifications** (Operating thermally range  $-30^{\circ}\text{C}$  to  $+60^{\circ}\text{C}$ )

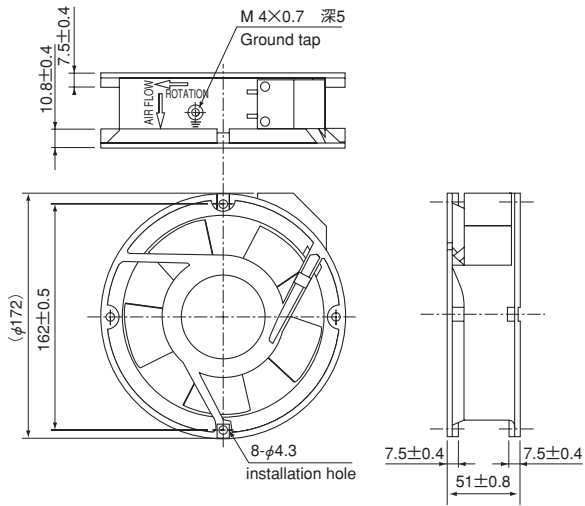
Model	Voltage (V)	Frequency (Hz)	Input (W)	Current (A)	Bound current (A)	Rotating speed (min <sup>-1</sup> )	Air flow (m <sup>3</sup> /min) (CFM)	Static pressure (Pa)	Noise (dB[A])	Mass (g)
109-311	100			0.33/0.25	0.65/0.64					
109-314	115			0.29/0.22	0.55/0.54					
109-312	200	50/60	27/25	0.16/0.13	0.33/0.32	2900/3500	5.3/6.4 187.3/226.1	147/196	47/51	960
109-313	230			0.14/0.11	0.28/0.27					

**Typical air flow and static pressure characteristics**

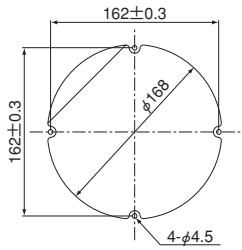


- 109-311
- 109-314
- 109-312
- 109-313

Dimensions (unit : mm)



Reference dimensional diagram for installation holes (unit : mm)



Wiring diagram

