

DC Fan

38mm

San Ace 38
28mm thick (GV type)



General Specifications **With a pulse sensor** Specifications for pulse sensors ⇨ Refer to Page 239

*Please inquire about other specifications.

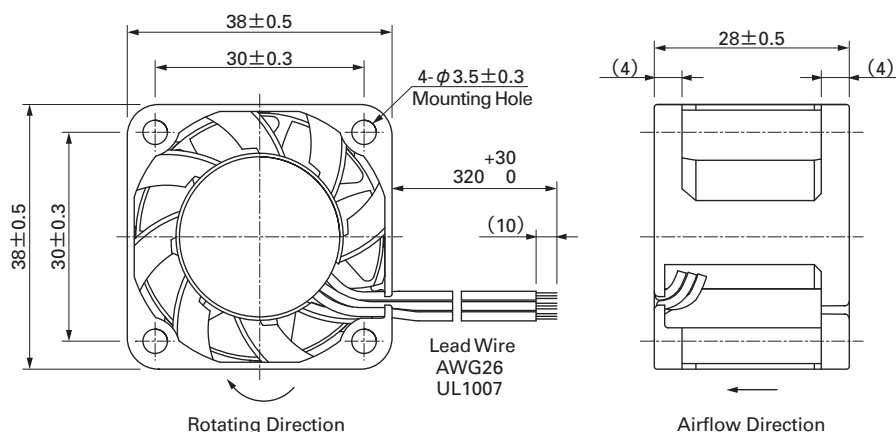
- Material Frame: Plastics (Flammability: UL94V-0), Impeller: Plastics (Flammability: UL94V-1)
- Life Expectancy Varies for each model (L10: Survival rate: 90% at 60°C, rated voltage, and continuously run in a free air state)
- Lead Wire ⊕red ⊖black (Sensor) yellow
- Storage Temperature -30°C to +70°C (Non-condensing)

38mm × 28mm thick [Mass : 50g] **GV type**

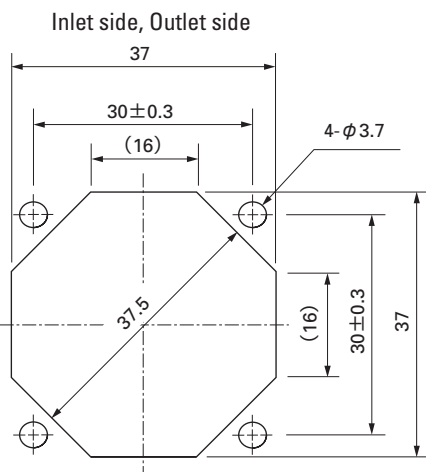
Specifications

Model No.	Rated Voltage (V)	Operating Voltage Range (V)	Rated Current (A)	Rated Input (W)	Rated Speed (min ⁻¹)	Air Flow (m ³ /min) (CFM)		Static Pressure (Pa) (inchH ₂ O)		SPL (dB(A))	Operating Temperature Range (°C)	Life Expectancy (h)
9GV0312J301	12	7 to 13.2	0.6	7.2	15,900	0.57	20	315	1.265	54	-10 to +60	40,000
9GV0312G301			0.4	4.8	13,500	0.48	17	230	0.924	50		
9GV0312E301			0.21	2.52	10,500	0.37	13.1	130	0.522	43		

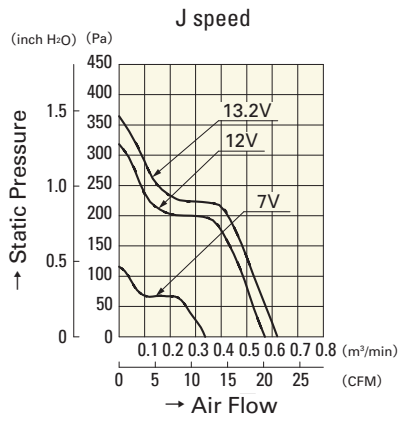
Dimensions (Unit : mm)



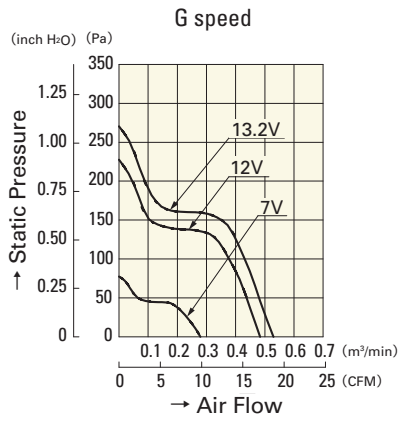
Reference dimension of mounting holes and vent opening (Unit : mm)



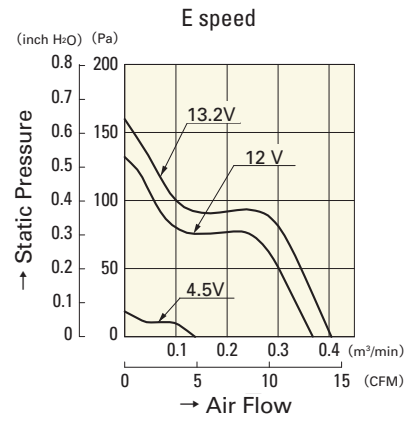
Air Flow and Static Pressure Characteristics



9GV0312J301



9GV0312G301



9GV0312E301