

DC Fan

40mm

San Ace 40

10mm thick, 15mm thick, 20mm thick
28mm thick (GE type)
28mm thick (GV type), 28mm thick



General Specifications **With a pulse sensor** Specifications for pulse sensors ⇔ Refer to Page 239

*Please inquire about other specifications.

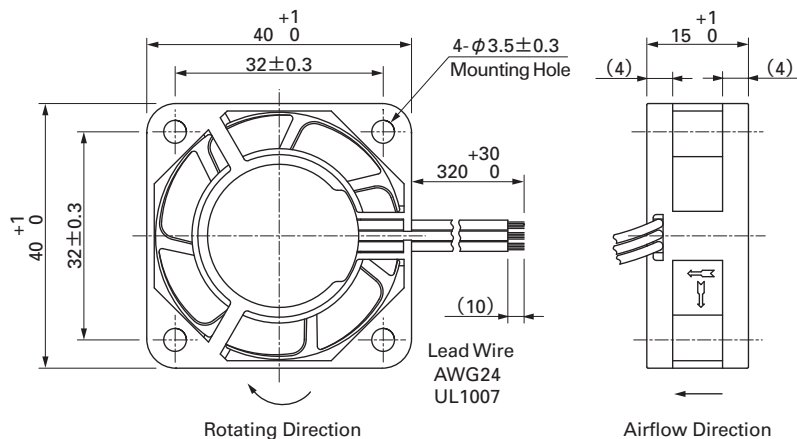
- Material.....Frame: Plastics (Flammability: UL94V-0),
Impeller:Plastics (Flammability: UL94V-1)
- Life ExpectancyVaries for each model (L10:Survival rate:90% at 60°C ,
rated voltage, and continuously run in a free air state)
- Lead Wire⊕red ⊖black (Sensor) yellow
- Storage Temperature-30°C to +70°C (Non-condensing)

40mm × 15mm thick (Mass : 32g)

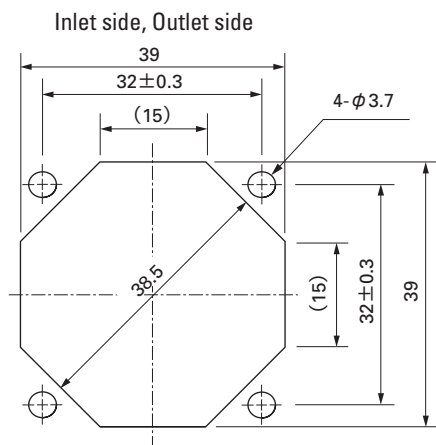
Specifications

Model No.	Rated Voltage (V)	Operating Voltage Range (V)	Rated Current (A)	Rated Input (W)	Rated Speed (min ⁻¹)	Air Flow (m ³ /min) (CFM)	Static Pressure (Pa) (inchH ₂ O)	SPL (dB[A])	Operating Temperature Range (°C)	Life Expectancy (h)
109P0405H701	5	4.5 to 5.5	0.28	1.4	7,700	0.18 6.4	75.5 0.303	28	- 10 to +60	60,000
109P0405M701			0.21	1.05	6,500	0.15 5.3	53 0.213	24		
109P0412S701	12	10.2 to 13.8	0.18	2.16	8,600	0.2 7.06	92.1 0.369	32		
109P0412H701			0.13	1.56	7,700	0.18 6.4	75.5 0.303	28		
109P0412M701			0.095	1.14	6,500	0.15 5.3	53 0.213	24		
109P0424H701	24	20.4 to 27.6	0.08	1.92	7,700	0.18 6.4	75.5 0.303	28		

Dimensions (Unit : mm)



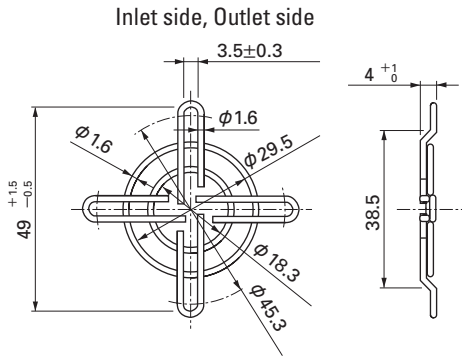
Reference dimension of mounting holes and vent opening (Unit : mm)



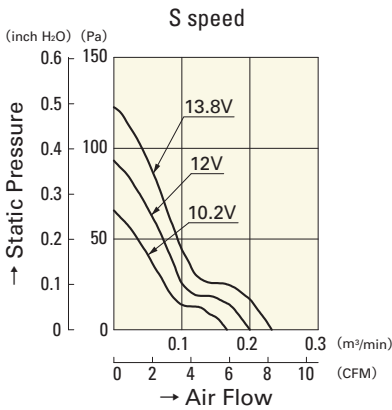
Options (Unit : mm)

Finger guards

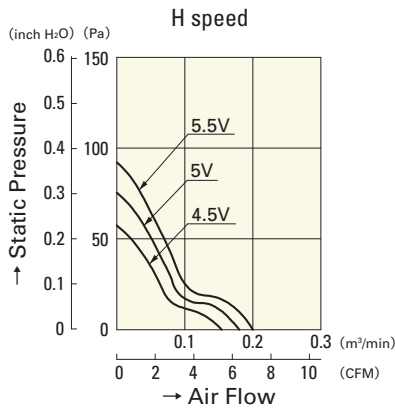
Model : 109-059 Surface treatment : Nickel-chrome plating (silver) Color



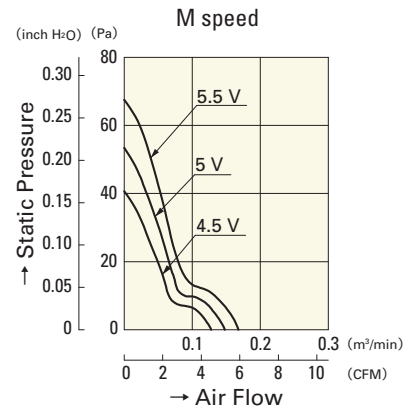
Air Flow and Static Pressure Characteristics



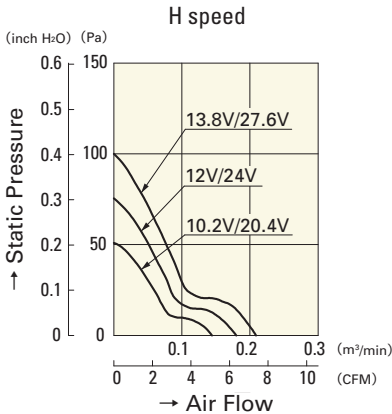
109P0412S701



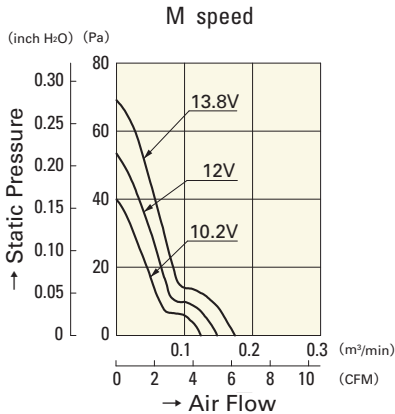
109P0405H701



109P0405M701



109P0412H701
109P0424H701



109P0412M701

40mm