

Oil Proof Fan

40mm

San Ace 40WF

20mm thick



General Specifications With a pulse sensor Specifications for pulse sensors ⇨ Refer to Page 239

*Please inquire about other specifications.

- Material Frame: Plastics (Flammability: UL94V-0),
Impeller: Plastics (Flammability: UL94V-0)
- Life Expectancy Varies for each model(L10:Survival rate: 90% at 60°C ,
rated voltage,and continuously run in a free air state)
- Lead Wire ⊕red ⊖black Sensor yellow
- Storage Temperature -30°C to +70°C (Non-condensing)

The product can be used in an oil mist environment*

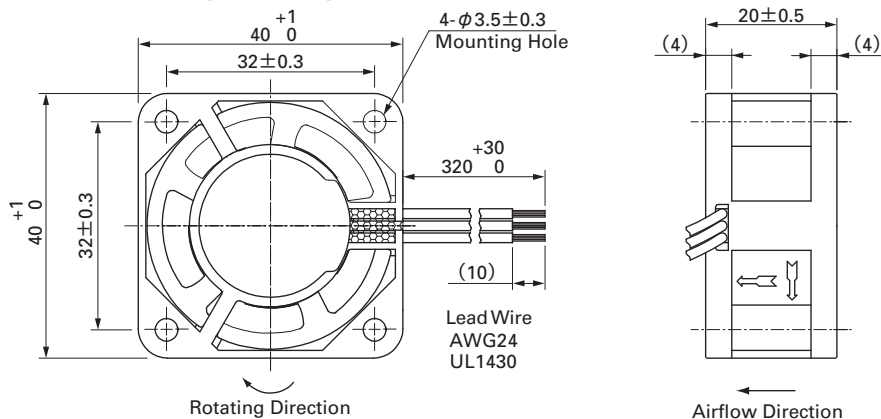
*Environment where machining oil mist is scattered.
Usage of this product requires an evaluation with the oil that will be used.

40mm×20mm thick (Mass : 50g)

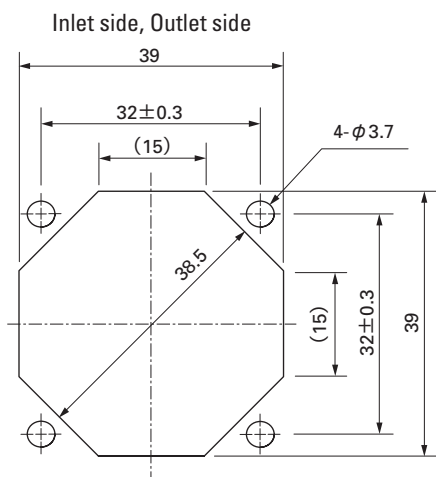
Specifications

Model No.	Rated Voltage (V)	Operating Voltage Range (V)	Rated Current (A)	Rated Input (W)	Rated Speed (min ⁻¹)	Air Flow (m ³ /min) (CFM)		Static Pressure (Pa) (inchH ₂ O)		SPL (dB(A))	Operating Temperature Range (°C)	Life Expectancy (h)
9WF0424H601	24	20.4 to 27.6	0.11	2.64	13,100	0.26	9.2	90	0.361	42	- 10 to +70	40,000

Dimensions (Unit : mm)



Reference dimension of mounting holes and vent opening (Unit : mm)



Options (Unit : mm)

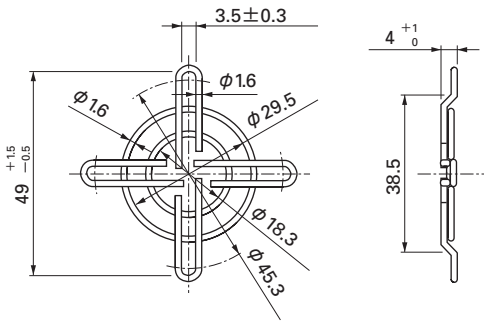
Finger guards

Model : 109-059

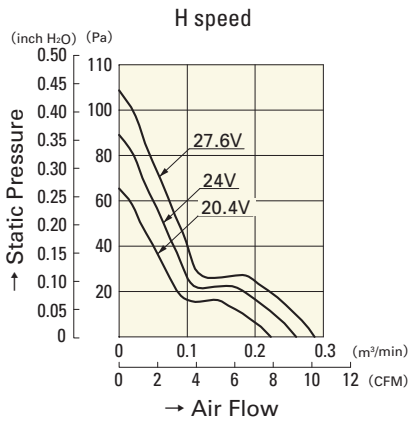
Surface treatment : Nickel-chrome plating (silver)

Color

Inlet side, Outlet side



Air Flow and Static Pressure Characteristics



9WF0424H601

Oil Proof Fan 40mm

40mm