

Counter Rotating Fan

40mm

San Ace 40

48mm thick (CRA type)
56mm thick (CRE type)
56mm thick (CRA type)



General Specifications With a pulse sensor Specifications for pulse sensors ⇨ Refer to Page 239

With PWM speed control function

*Please inquire about other specifications.

- Material.....Frame: Plastics (Flammability: UL94V-0),
Impeller:Plastics (Flammability: UL94V-1)
- Life ExpectancyVaries for each model (L10:Survival rate:90% at 60°C ,
rated voltage, and continuously run in a free air state)
- Lead WireInlet ⊕red ⊖black (Sensor) yellow (Control) brown
Outlet ⊕orange ⊖gray (Sensor) purple (Control) white
- Storage Temperature ...-30°C to +70°C (Non-condensing)

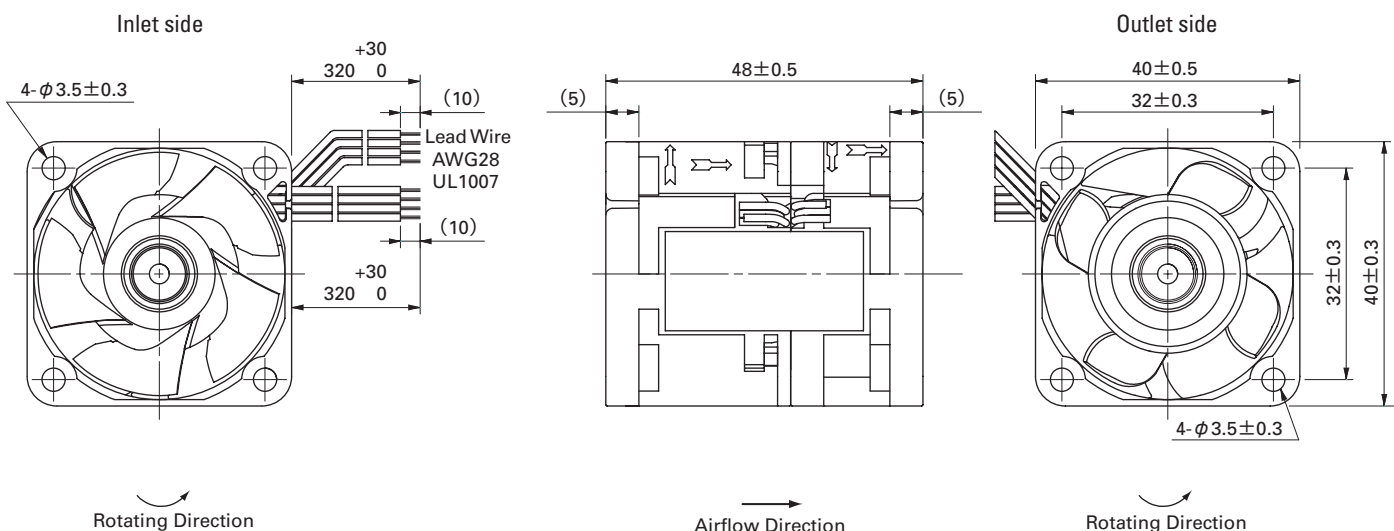
40mm×48mm thick (Mass : 80g) **CRA type**

Specifications

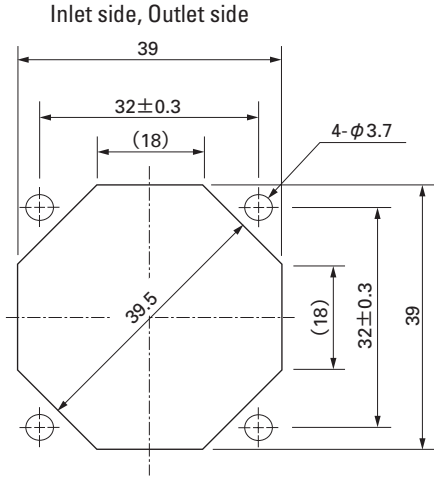
Model No.	Rated Voltage (V)	Operating Voltage Range (V)	PWM duty cycle※ (%)	Rated Current (A)	Rated Input (W)	Rated Speed (min ⁻¹)		Air Flow (m ³ /min (CFM))		Static Pressure (Pa) (inchH ₂ O)		SPL (dB(A))	Operating Temperature Range (°C)	Life Expectancy (h)
						Inlet	Outlet							
9CRA0412P4K03	12	10.8 to 13.2	100	1.60	19.20	17,500	11,700	0.920	32.50	650.0	2.610	64	-10 to +70	30,000
			0	0.19	2.28	5,250	3,510	0.276	9.75	58.5	0.235	33		
9CRA0412P4J03			100	1.20	14.40	16,200	10,800	0.850	30.00	560.0	2.250	62		40,000
			0	0.15	1.80	4,500	3,000	0.236	8.33	43.2	0.173	28		
9CRA0412P4G03	100	1.00	12.00	14,700	9,800	0.770	27.20	460.0	1.850	59	40,000			
	0	0.15	1.80	4,410	2,940	0.231	8.16	41.4	0.166	28				

※PWM Frequency : 25kHz

Dimensions (Unit : mm)



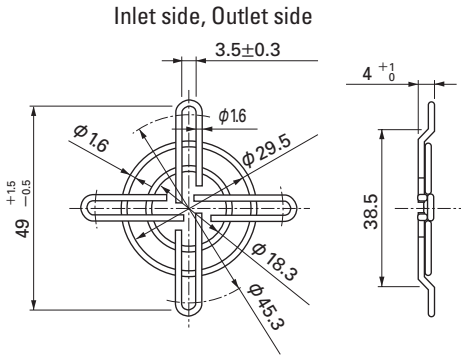
Reference dimension of mounting holes and vent opening (Unit : mm)



Options (Unit : mm)

Finger guards

Model : 109-059 Surface treatment : Nickel-chrome plating (silver) Color



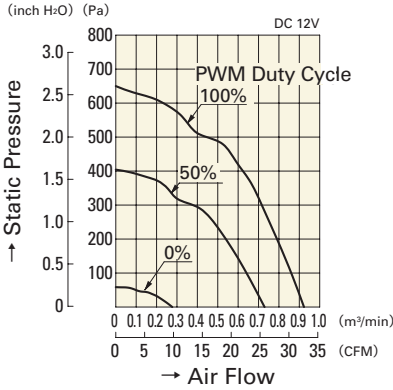
San Ace 40

40mm

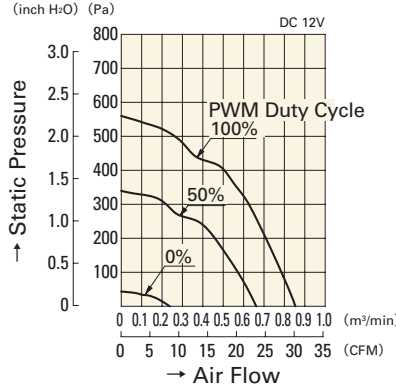
40mm × 48mm thick (Mass : 80g)

Air Flow and Static Pressure Characteristics

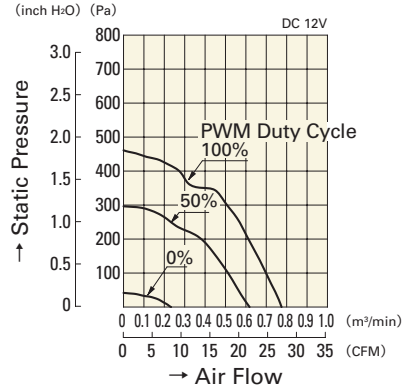
PWM Duty Cycle



9CRA0412P4K03

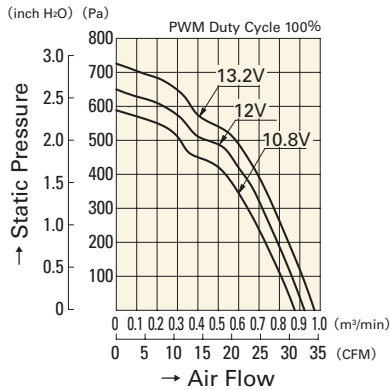


9CRA0412P4J03

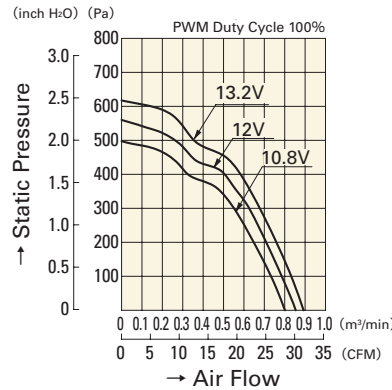


9CRA0412P4G03

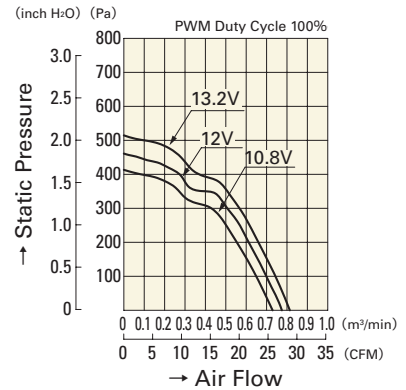
Operating Voltage Range



9CRA0412P4K03

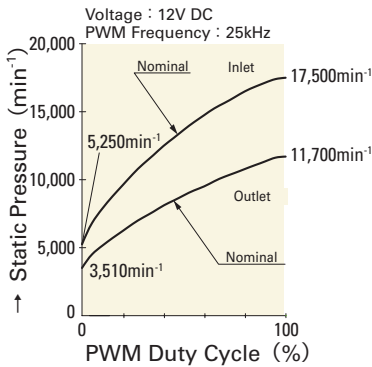


9CRA0412P4J03

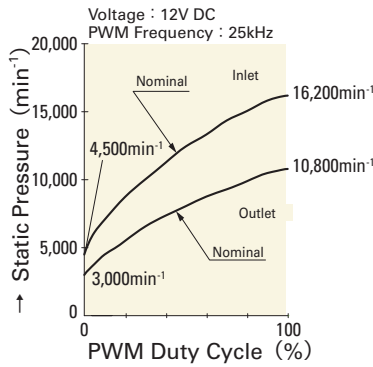


9CRA0412P4G03

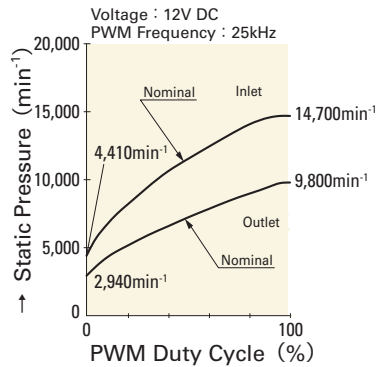
PWM Duty - Speed Characteristics Example



9CRA0412P4K03

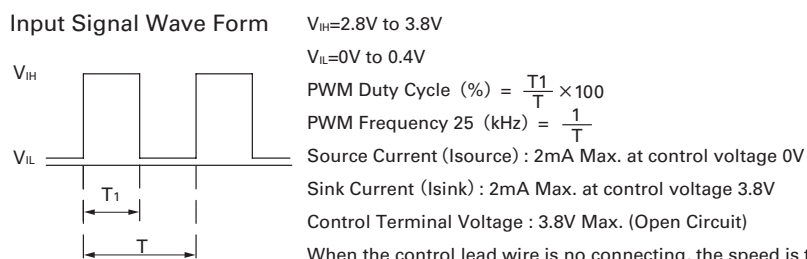


9CRA0412P4J03



9CRA0412P4G03

■ PWM Input Signal Example



When the control lead wire is no connecting, the speed is the same speed as at 100% of PWM duty cycle.
 This fan speed should be controlled by PWM input signal of either TTL input or open collector, drain input.

■ Connection Schematic

