

Oil Proof Fan

60mm

San Ace 60WF

15mm thick, 25mm thick



General Specifications With a pulse sensor Specifications for pulse sensors ⇔ Refer to Page 239

*Please inquire about other specifications.

- Material..... Frame: Plastics (Flammability: UL94V-0),
Impeller: Plastics (Flammability: UL94V-0)
- Life Expectancy Varies for each model(L10:Survival rate: 90% at 60°C ,
rated voltage,and continuously run in a free air state)
- Lead Wire ⊕red ⊖black Sensor yellow
- Storage Temperature -30°C to +70°C (Non-condensing)

The product can be used in an oil mist environment*

*Environment where machining oil mist is scattered.

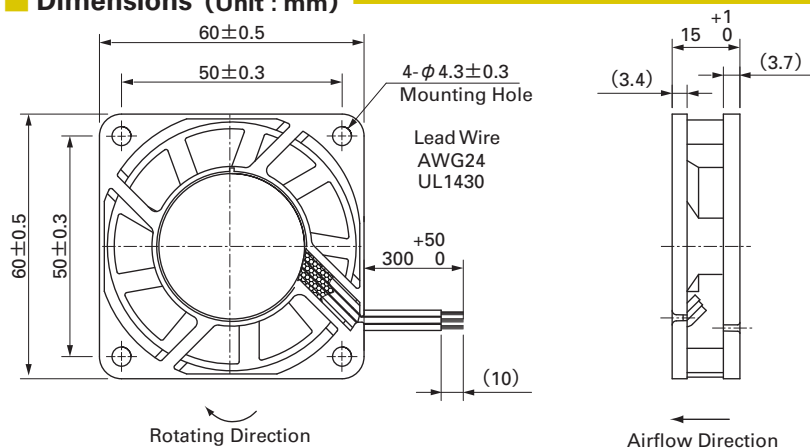
Usage of this product requires an evaluation with the oil that will be used.

60mm × 15mm thick (Mass : 62g)

Specifications

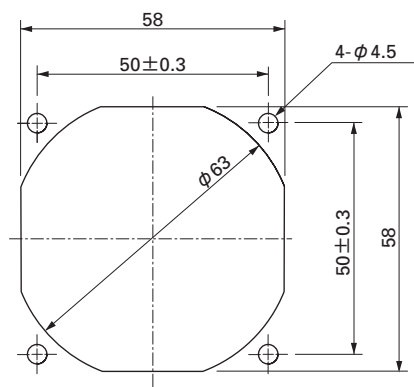
Model No.	Rated Voltage (V)	Operating Voltage Range (V)	Rated Current (A)	Rated Input (W)	Rated Speed (min ⁻¹)	Air Flow (m ³ /min) (CFM)		Static Pressure (Pa) (inchH ₂ O)		SPL (dB[A])	Operating Temperature Range (°C)	Life Expectancy (h)
9WF0624H701	24	20.4 to 27.6	0.12	2.88	6,800	0.52	18.36	95	0.38	44	- 10 to + 70	40,000

Dimensions (Unit : mm)



Reference dimension of mounting holes and vent opening (Unit : mm)

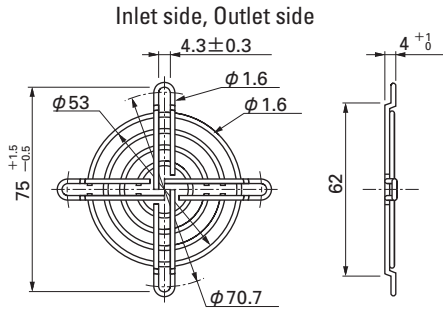
Inlet side, Outlet side



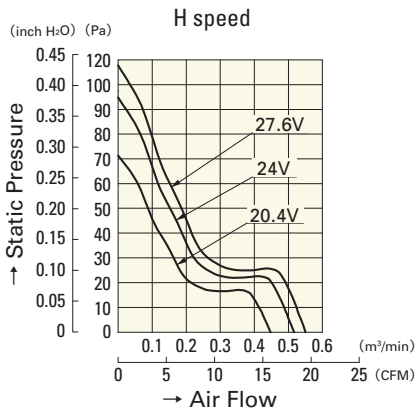
Options (Unit : mm)

Finger guards

Model : 109-139E Surface treatment : Nickel-chrome plating (silver) Color : 109-139H Cation electropainting (black)



Air Flow and Static Pressure Characteristics



9WF0624H701

Oil Proof Fan 60mm

60mm