

DC Fan

60mm

San Ace 60

15mm thick, 20mm thick, 25mm thick
25mm thick (San Cooler)
38mm thick (G type)



General Specifications **With a pulse sensor** Specifications for pulse sensors ⇨ Refer to Page 239

*Please inquire about other specifications.

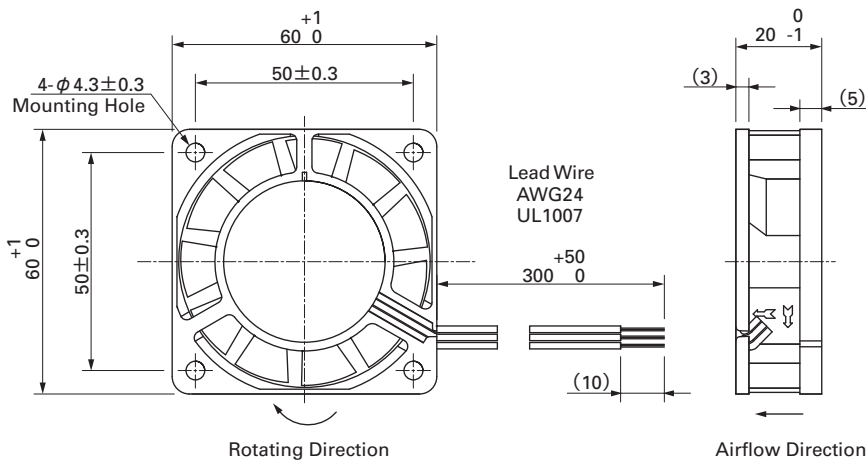
- Material..... Frame: Plastics (Flammability: UL94V-0),
Impeller: Plastics (Flammability: UL94V-1)
- Life Expectancy Varies for each model (L10: Survival rate: 90% at 60°C, rated voltage, and continuously run in a free air state)
- Lead Wire ⊕red ⊖black (Sensor) yellow
- Storage Temperature ... -30°C to +70°C (Non-condensing)

60mm × 20mm thick (Mass : 90g)

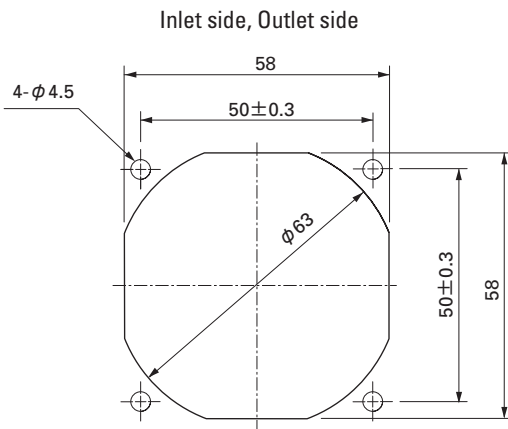
Specifications

Model No.	Rated Voltage (V)	Operating Voltage Range (V)	Rated Current (A)	Rated Input (W)	Rated Speed (min ⁻¹)	Air Flow (m ³ /min) (CFM)	Static Pressure (Pa) (inchH ₂ O)	SPL (dB[A])	Operating Temperature Range (°C)	Life Expectancy (h)
109P0612W601	12	6 to 16	0.13	1.56	4,200	0.42 14.8	31.9 0.128	31	-10 to +70	60,000
109P0612H601		10.2 to 13.8	0.13	1.56	4,200	0.42 14.8	31.9 0.128	31		
109P0612M601			0.09	1.08	3,200	0.30 10.6	18.8 0.076	25		
109P0624W601	24	12 to 30	0.07	1.68	4,200	0.42 14.8	31.9 0.128	31		
109P0624H601		20.4 to 27.6	0.07	1.68	4,200	0.42 14.8	31.9 0.128	31		
109P0624M601			0.05	1.20	3,200	0.30 10.6	18.8 0.076	25		
109P0648H601	48	43 to 53	0.07	3.36	5,600	0.55 19.4	52.9 0.212	41		40,000

Dimensions (Unit : mm)



Reference dimension of mounting holes and vent opening (Unit : mm)

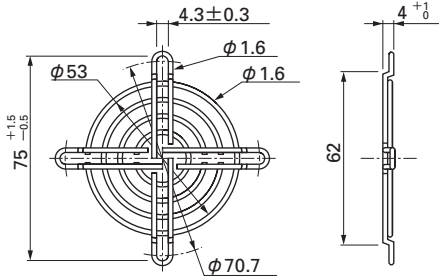


Options (Unit : mm)

Finger guards

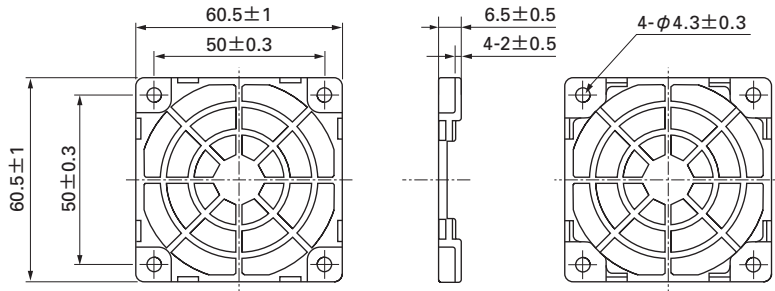
Model : 109-139E Surface treatment : Nickel-chrome plating (silver) Color
 : 109-139H : Cation electropainting (black)

Inlet side, Outlet side



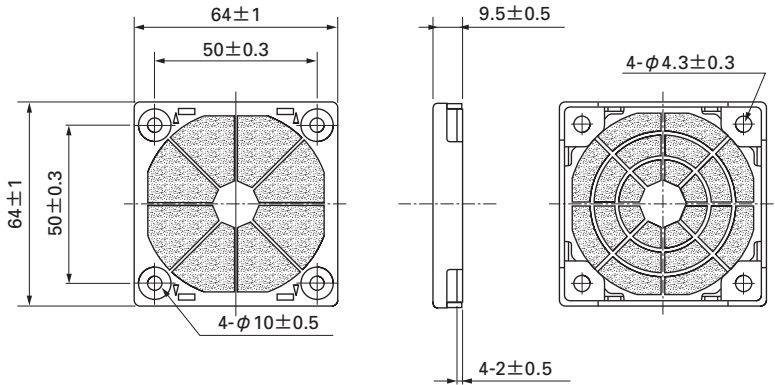
Resin finger guards

Model : 109-1003G

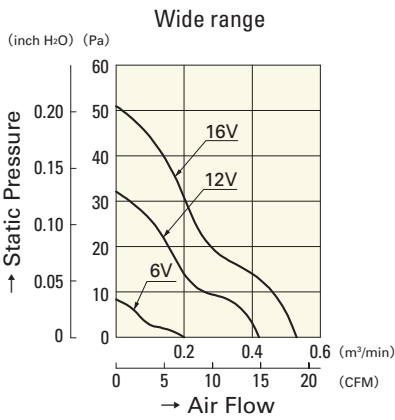


Resin filter kits

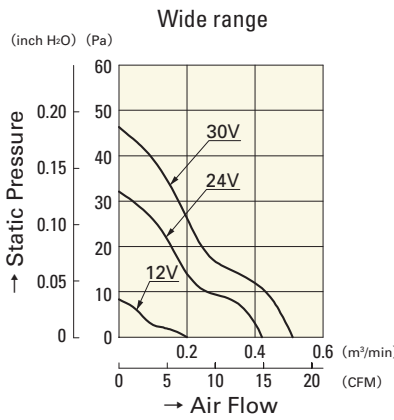
Model : 109-1003F13 (13PPI), 109-1003F20 (20PPI)
 : 109-1003F30 (30PPI), 109-1003F40 (40PPI)



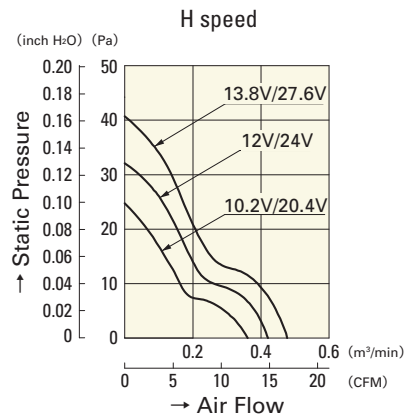
Air Flow and Static Pressure Characteristics



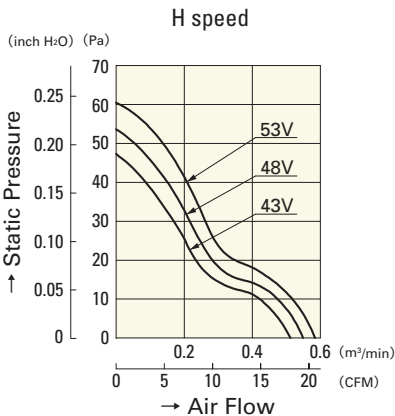
109P0612W601



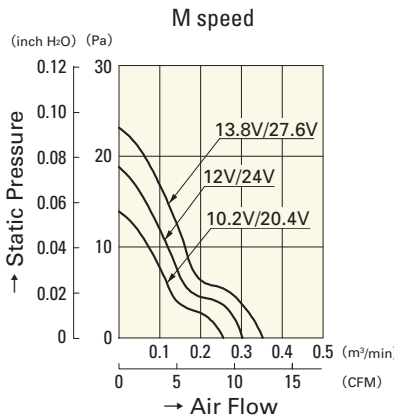
109P0624W601



109P0612H601
109P0624H601



109P0648H601



109P0612M601
109P0624M601

60mm