

Oil Proof Fan

60mm

San Ace 60WF

15mm thick, 25mm thick



General Specifications With a pulse sensor Specifications for pulse sensors ⇨ Refer to Page 239

*Please inquire about other specifications.

- Material Frame: Plastics (Flammability: UL94V-0),
Impeller: Plastics (Flammability: UL94V-0)
- Life Expectancy Varies for each model(L10:Survival rate: 90% at 60°C ,
rated voltage, and continuously run in a free air state)
- Lead Wire ⊕red ⊖black Sensor yellow
- Storage Temperature ... -30°C to +70°C (Non-condensing)

The product can be used in an oil mist environment*

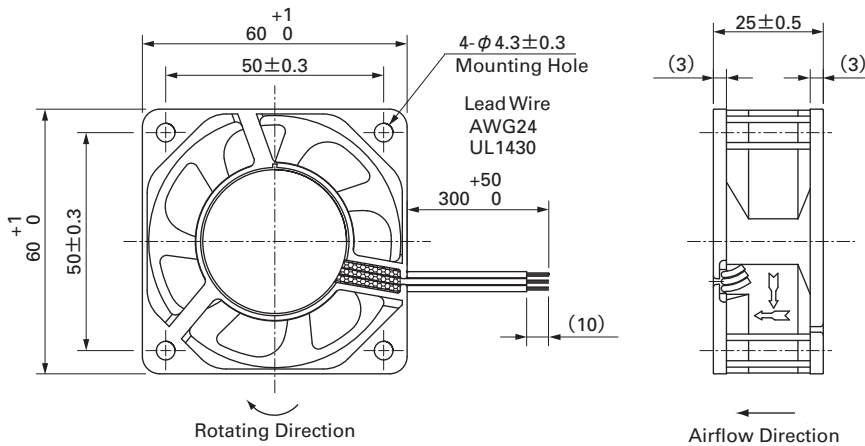
*Environment where machining oil mist is scattered.
Usage of this product requires an evaluation with the oil that will be used.

60mm × 25mm thick (Mass : 110g)

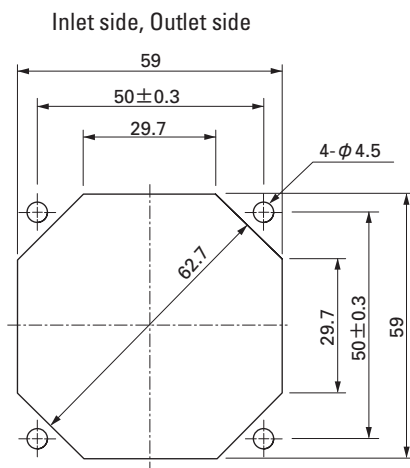
Specifications

Model No.	Rated Voltage (V)	Operating Voltage Range (V)	Rated Current (A)	Rated Input (W)	Rated Speed (min ⁻¹)	Air Flow (m ³ /min) (CFM)	Static Pressure (Pa) (inchH ₂ O)	SPL (dB[A])	Operating Temperature Range (°C)	Life Expectancy (h)
9WF0624H401	24	20.4 to 27.6	0.15	3.6	6,500	0.67 23.6	97 0.390	41	- 10 to + 70	40,000

Dimensions (Unit : mm)



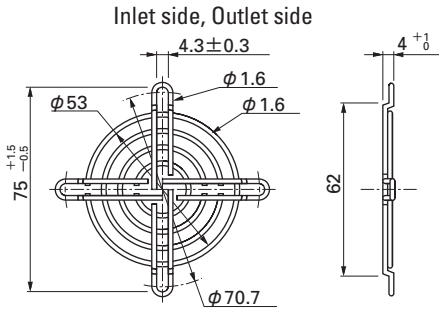
Reference dimension of mounting holes and vent opening (Unit : mm)



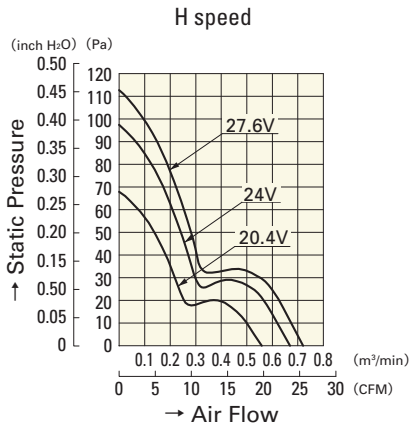
Options (Unit : mm)

Finger guards

Color
 Model : 109-139E Surface treatment : Nickel-chrome plating (silver)
 : 109-139H : Cation electropainting (black)



Air Flow and Static Pressure Characteristics



9WF0624H401

Oil Proof Fan 60mm

60mm