

DC Fan

60mm

San Ace 60

15mm thick, 20mm thick, 25mm thick
25mm thick (San Cooler)
38mm thick (G type)



General Specifications With a pulse sensor Specifications for pulse sensors ⇔ Refer to Page 239

*Please inquire about other specifications.

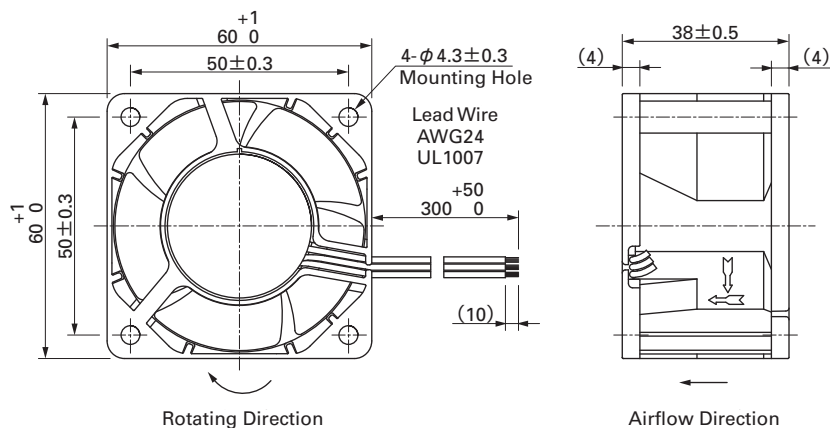
- Material Frame: Plastics (Flammability: UL94V-0), Impeller: Plastics (Flammability: UL94V-0)
- Life Expectancy Varies for each model (L10: Survival rate: 90% at 60°C, rated voltage, and continuously run in a free air state)
- Lead Wire ⊕red ⊖black (Sensor) yellow
- Storage Temperature -30°C to +70°C (Non-condensing)

60mm × 38mm thick (Mass : 110g) **G type**

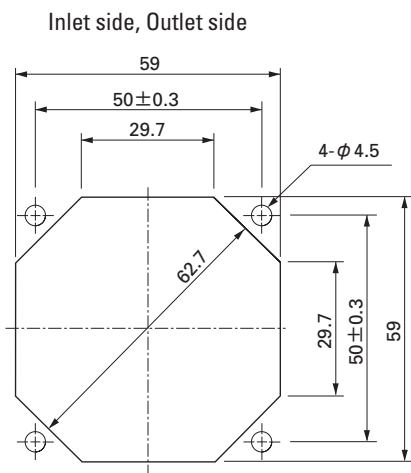
Specifications The numbers in () represent ribless models.

Model No.	Rated Voltage (V)	Operating Voltage Range (V)	Rated Current (A)	Rated Input (W)	Rated Speed (min ⁻¹)	Air Flow (m ³ /min) (CFM)	Static Pressure (Pa) (inchH ₂ O)	SPL (dB[A])	Operating Temperature Range (°C)	Life Expectancy (h)
9G0612G101(1011)	12	7.0 to 13.8	1.54	18.5	11,800	1.84 65	435 1.747	58	-10 to +70	40,000
9G0612S101(1011)			1.36	16.3	10,800	1.70 60	370 1.486	56		
9G0624G101(1011)	24	14.0 to 27.6	0.85	20.4	11,800	1.84 65	435 1.747	58		
9G0624S101(1011)			0.70	16.8	10,800	1.70 60	370 1.486	56		
9G0648G101(1011)	48	28 to 55.2	0.35	16.8	11,800	1.84 65	435 1.747	58		
9G0648S101(1011)			0.29	13.9	10,800	1.70 60	370 1.486	56		

Dimensions (Unit : mm)



Reference dimension of mounting holes and vent opening (Unit : mm)

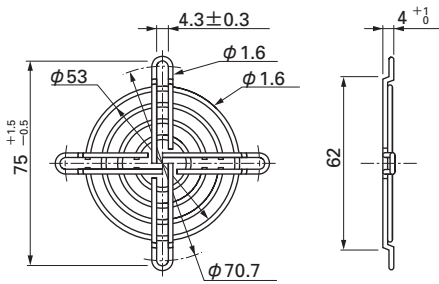


Options (Unit : mm)

Finger guards

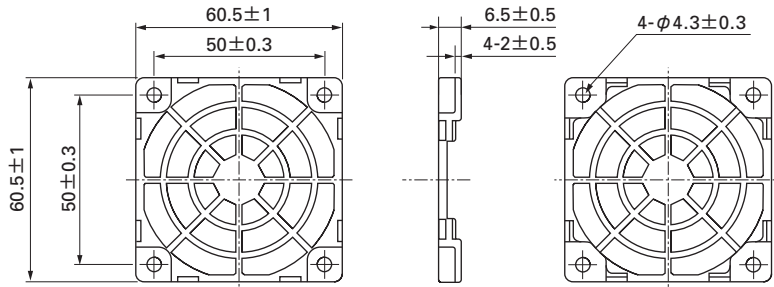
Model : 109-139E Surface treatment : Nickel-chrome plating (silver) Color
 : 109-139H : Cation electropainting (black)

Inlet side, Outlet side



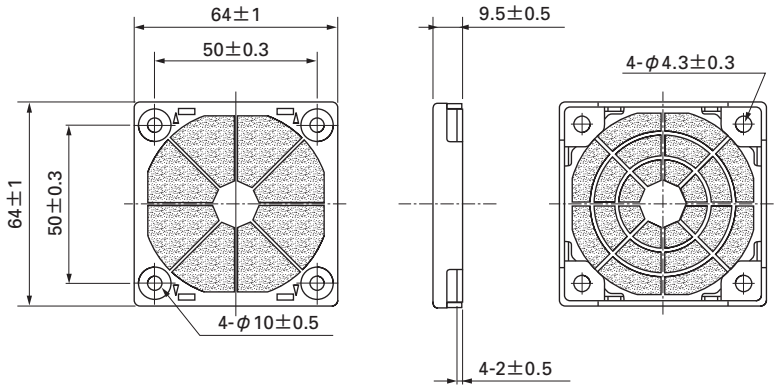
Resin finger guards

Model : 109-1003G

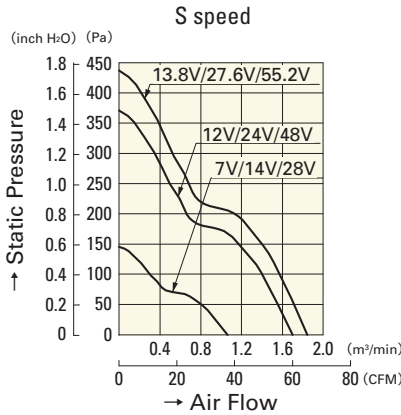
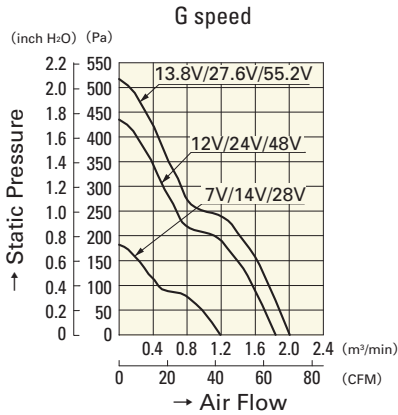


Resin filter kits

Model : 109-1003F13 (13PPI), 109-1003F20 (20PPI)
 : 109-1003F30 (30PPI), 109-1003F40 (40PPI)



Air Flow and Static Pressure Characteristics



- 9G0612G101(1011)
- 9G0624G101(1011)
- 9G0648G101(1011)

- 9G0612S101(1011)
- 9G0624S101(1011)
- 9G0648S101(1011)

60mm