

Splash Proof Fan

80mm

San Ace 80W

25mm thick
 25mm thick(WP type)
 25mm thick(WS type)



General Specifications With a pulse sensor Specifications for pulse sensors ⇨ Refer to Page 239

*Please inquire about other specifications.

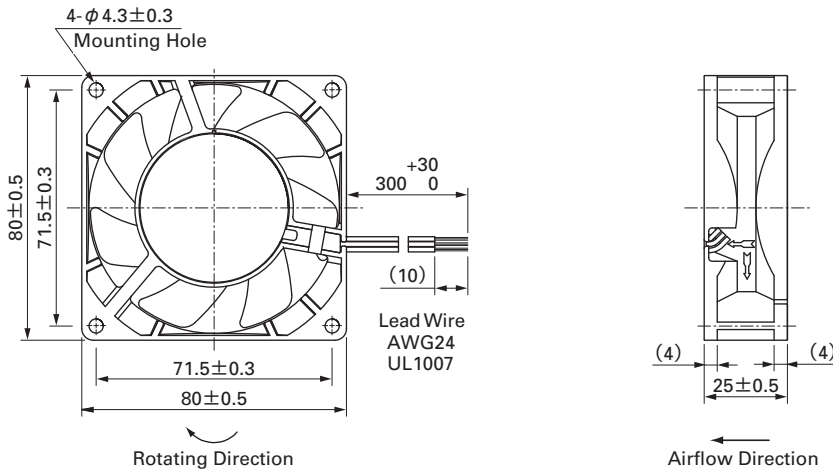
- Material Frame: Plastics (Flammability: UL94V-0),
 Impeller: Plastics (Flammability: UL94V-1)
- Life Expectancy Varies for each model(L10:Survival rate: 90% at 60°C ,
 rated voltage,and continuously run in a free air state)
- Lead Wire ⊕red ⊖black Sensor yellow
- Storage Temperature -30°C to +70°C (Non-condensing)

80mm×25mm thick (Mass : 120g) **IP 54** Dust resistant device with protection against water spray **WS type**

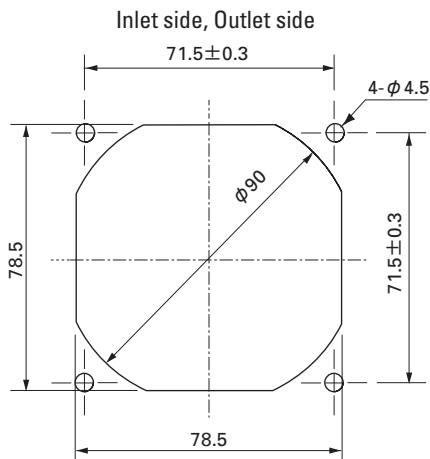
Specifications The numbers in () represent ribless models.

Model No.	Rated Voltage (V)	Operating Voltage Range (V)	Rated Current (A)	Rated Input (W)	Rated Speed (min ⁻¹)	Air Flow (m ³ /min) (CFM)	Static Pressure (Pa) (inchH ₂ O)	SPL (dB[A])	Operating Temperature Range (°C)	Life Expectancy (h)
9WS0812H401(4011)	12	10.2 to 13.8	0.16	1.92	3,100	0.94 33.2	45.1 0.181	32	- 10 to + 70	40,000
9WS0812F401(4011)			0.13	1.56	2,700	0.83 29.3	34.3 0.138	28		
9WS0812M401(4011)			0.1	1.2	2,200	0.65 23.0	23.5 0.094	23		
9WS0824H401(4011)	24	20.4 to 27.6	0.09	2.16	3,100	0.94 33.2	45.1 0.181	32		
9WS0824F401(4011)			0.07	1.68	2,700	0.83 29.3	34.3 0.138	28		
9WS0824M401(4011)			0.05	1.2	2,200	0.65 23.0	23.5 0.094	23		

Dimensions (Unit : mm)



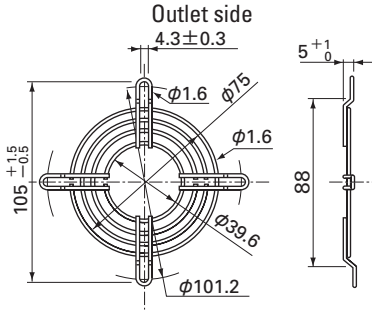
Reference dimension of mounting holes and vent opening (Unit : mm)



Options (Unit : mm)

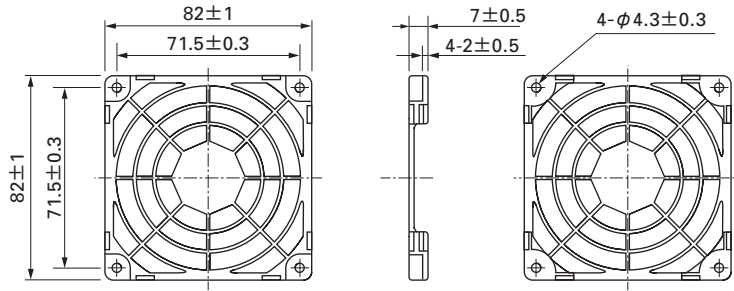
Finger guards

Model : 109-049C Color Surface treatment : Nickel-chrome plating (silver)

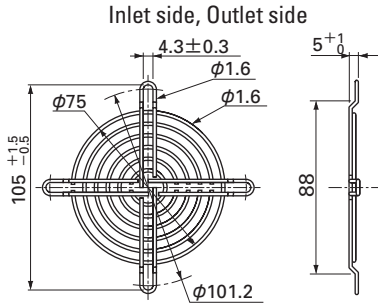


Resin Finger guards

Model : 109-1002G

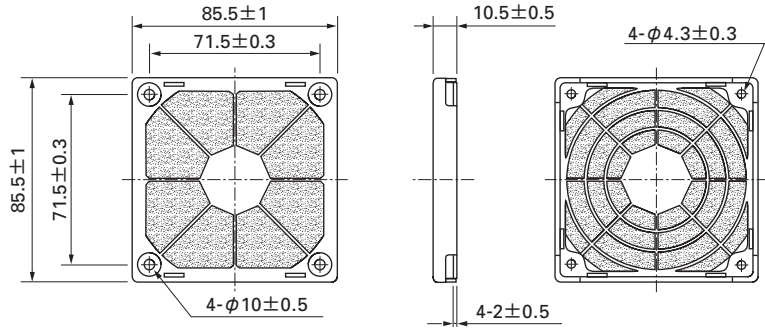


Model : 109-049E Color Surface treatment : Nickel-chrome plating (silver)
: 109-049H : Cation electropainting (black)

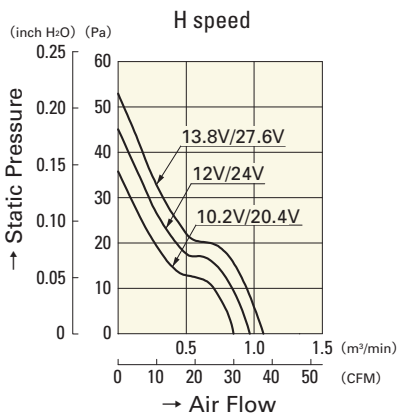


Resin filter kits

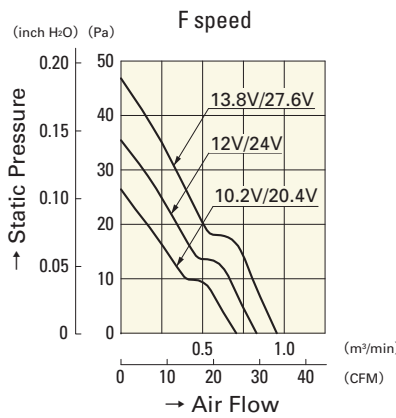
Model : 109-1002F13 (13PPI), 109-1002F20 (20PPI)
: 109-1002F30 (30PPI), 109-1002F40 (40PPI)



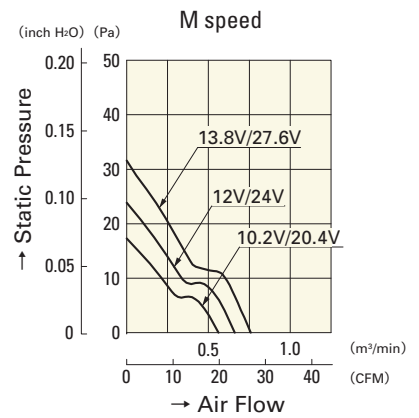
Air Flow and Static Pressure Characteristics



9WS0812H401(4011)
9WS0824H401(4011)



9WS0812F401(4011)
9WS0824F401(4011)



9WS0812M401(4011)
9WS0824M401(4011)