

**DC Fan**

**80mm**

**San Ace 80**

15mm thick, 20mm thick, 25mm thick  
 25mm thick (San Cooler), 32mm thick  
 38mm thick (GV type), 38mm thick (G type)



**General Specifications** With a pulse sensor Specifications for pulse sensors ⇔ Refer to Page 239

\*Please inquire about other specifications.

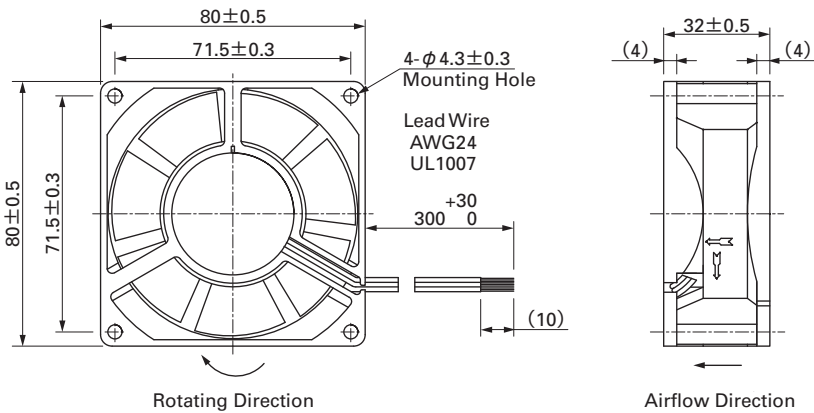
- Material ..... Frame: Plastics (Flammability: UL94V-0),  
 Impeller: Plastics (Flammability: UL94V-1)
- Life Expectancy ..... Varies for each model (L10: Survival rate: 90% at 60°C,  
 rated voltage, and continuously run in a free air state)
- Lead Wire ..... ⊕red ⊖black (Sensor) yellow
- Storage Temperature ..... -30°C to +70°C (Non-condensing)

**80mm × 32mm thick** (Mass : 150g)

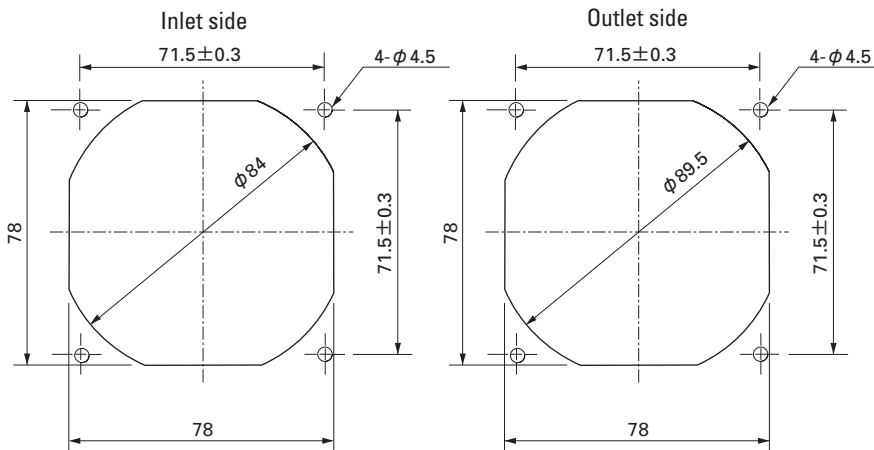
**Specifications** The numbers in ( ) represent ribless models.

Model No.	Rated Voltage (V)	Operating Voltage Range (V)	Rated Current (A)	Rated Input (W)	Rated Speed (min <sup>-1</sup> )	Air Flow (m <sup>3</sup> /min) (CFM)	Static Pressure (Pa) (inchH <sub>2</sub> O)	SPL (dB(A))	Operating Temperature Range (°C)	Life Expectancy (h)
109P0812A201(2011)	12	6 to 13.2	0.56	6.72	4,600	1.52 53.7	91.1 0.366	45	-10 to +55	40,000(+55°C)
109P0812H201(2011)		10.2 to 13.8	0.16	1.92	3,150	1.05 37.1	43.1 0.173	33		40,000
109P0812M201(2011)			0.07	0.84	2,000	0.65 23.0	18.5 0.074	21	60,000	
109P0824A201(2011)	24	12 to 26.4	0.29	6.96	4,600	1.52 53.7	91.1 0.366	45	-10 to +60	40,000
109P0824H201(2011)		20.4 to 27.6	0.09	2.16	3,150	1.05 37.1	43.1 0.173	33		40,000
109P0824M201(2011)			0.04	0.96	2,000	0.65 23.0	18.6 0.075	21	60,000	
109P0848H201(2011)	48	43 to 53	0.06	2.88	3,350	1.10 38.9	50.9 0.204	35	-10 to +70	40,000

**Dimensions (Unit : mm)**



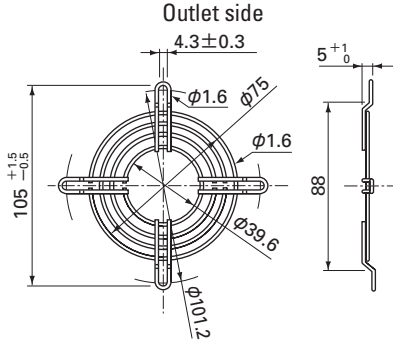
**Reference dimension of mounting holes and vent opening (Unit : mm)**



**Options (Unit : mm)**

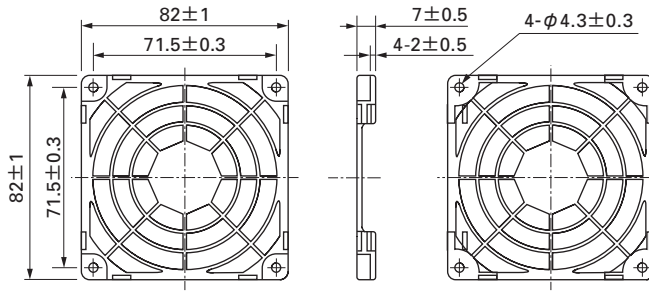
**Finger guards**

Model : 109-049C Color : Nickel-chrome plating (silver)  
 Model : 109-049H Surface treatment : Cation electropainting (black)



**Resin finger guards**

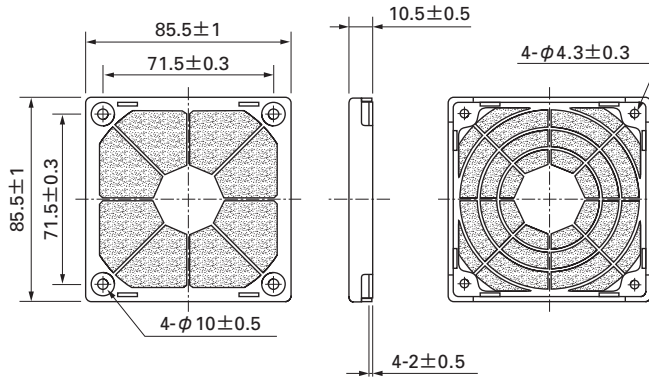
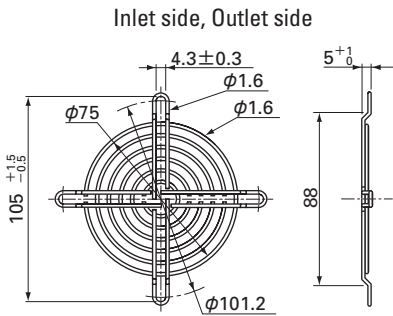
Model : 109-1002G



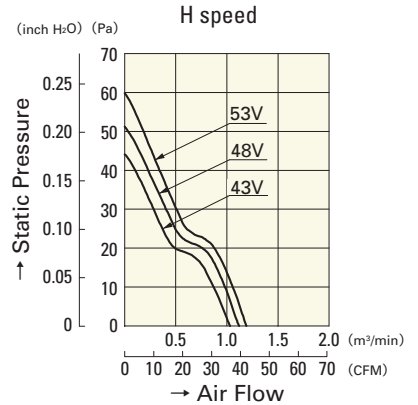
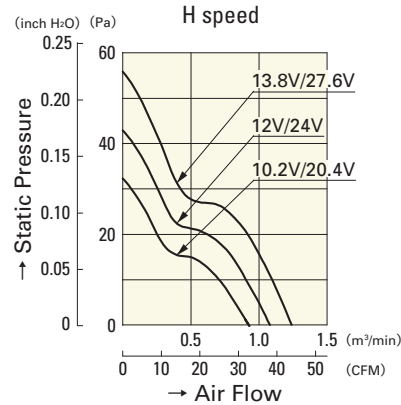
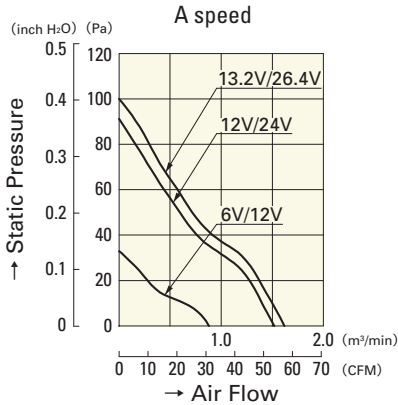
Model : 109-049E Color : Nickel-chrome plating (silver)  
 : 109-049H Surface treatment : Cation electropainting (black)

**Resin filter kits**

Model : 109-1002F13 (13PPI), 109-1002F20 (20PPI)  
 : 109-1002F30 (30PPI), 109-1002F40 (40PPI)



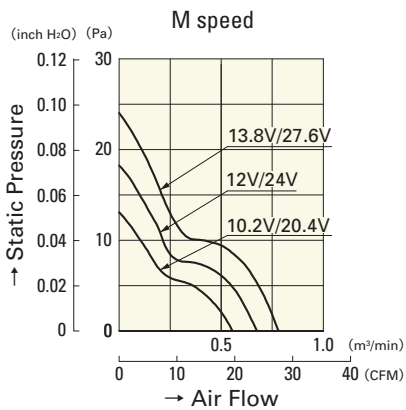
**Air Flow and Static Pressure Characteristics**



**109P0812A201(2011)**  
**109P0824A201(2011)**

**109P0812H201(2011)**  
**109P0824H201(2011)**

**109P0848H201(2011)**



**109P0812M201(2011)**  
**109P0824M201(2011)**