

**Splash Proof Fan**

**92mm**

**San Ace 92W**

25mm thick  
 25mm thick(WS type)  
 25mm thick(WP type)



**General Specifications** With a pulse sensor Specifications for pulse sensors ⇔ Refer to Page 239

\*Please inquire about other specifications.

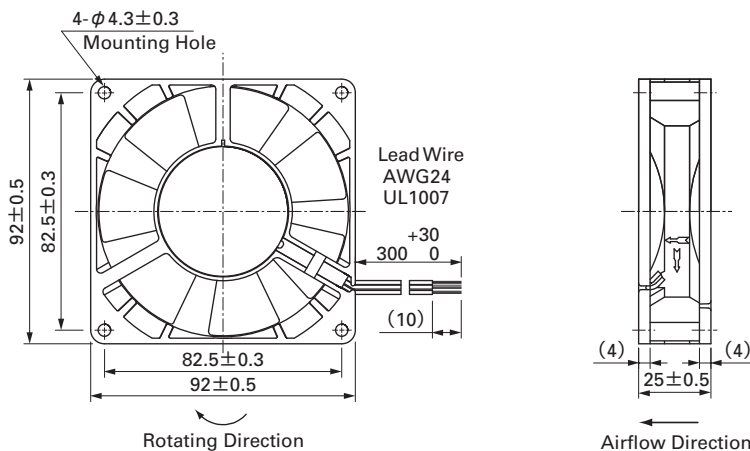
- Material ..... Frame: Plastics (Flammability: UL94V-0),  
 Impeller: Plastics (Flammability: UL94V-1)
- Life Expectancy ..... Varies for each model(L10:Survival rate: 90% at 60°C ,  
 rated voltage,and continuously run in a free air state)
- Lead Wire ..... ⊕red ⊖black Sensor yellow
- Storage Temperature ..... -30°C to +70°C (Non-condensing)

**92mm × 25mm thick** (Mass : 150g) **IP 54** Dust resistant device with protection against water spray **WS type**

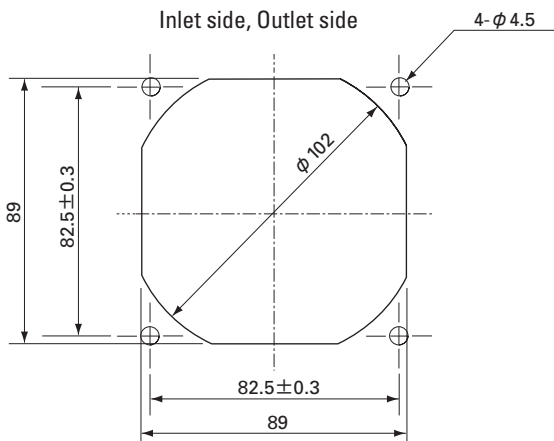
**Specifications**

Model No.	Rated Voltage (V)	Operating Voltage Range (V)	Rated Current (A)	Rated Input (W)	Rated Speed (min <sup>-1</sup> )	Air Flow (m <sup>3</sup> /min) (CFM)	Static Pressure (Pa) (inchH <sub>2</sub> O)	SPL (dB[A])	Operating Temperature Range (°C)	Life Expectancy (h)
9WS0912H401	12	10.2 to 13.8	0.17	2.04	2,850	1.38 48.7	45.1 0.181	33	- 10 to + 70	40,000
9WS0912F401			0.13	1.56	2,450	1.18 41.7	32.3 0.130	30		
9WS0912M401			0.1	1.2	2,100	1.01 35.7	23.5 0.094	27		
9WS0912L401			0.06	0.72	1,700	0.8 28.2	16.7 0.067	23		
9WS0924H401	24	20.4 to 27.6	0.1	2.4	2,850	1.38 48.7	45.1 0.181	33		
9WS0924F401			0.07	1.68	2,450	1.18 41.7	32.3 0.130	30		
9WS0924M401			0.06	1.44	2,100	1.01 35.7	23.5 0.094	27		
9WS0924L401			0.05	1.2	1,700	0.8 28.2	16.7 0.067	23		

**Dimensions (Unit : mm)**



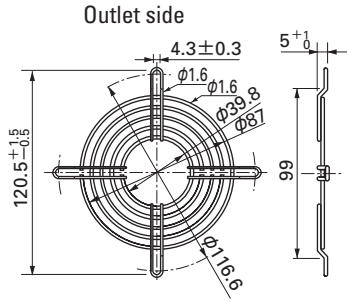
**Reference dimension of mounting holes and vent opening (Unit : mm)**



## Options (Unit : mm)

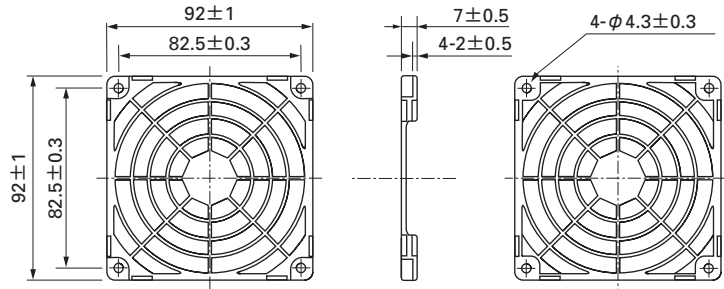
### Finger guards

Model : 109-099C Surface treatment : Nickel-chrome plating (silver) Color : Nickel-chrome plating (silver)

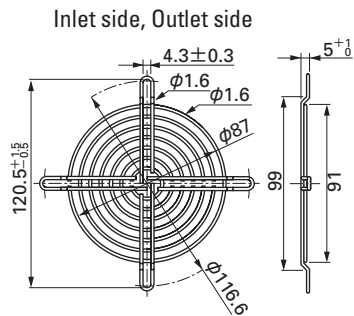


### Resin Finger guards

Model : 109-1001G

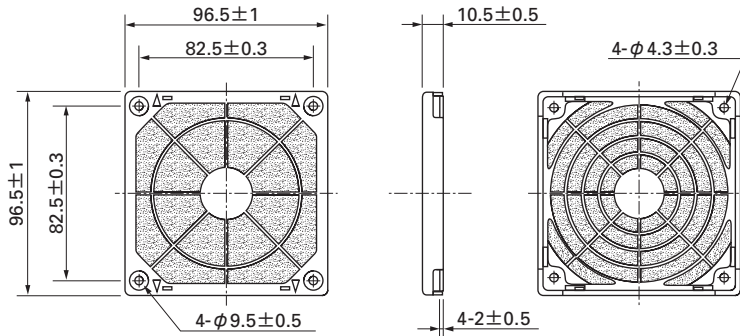


Model : 109-099E Surface treatment : Nickel-chrome plating (silver) Color : Nickel-chrome plating (silver)  
: 109-099H : Cation electropainting (black)

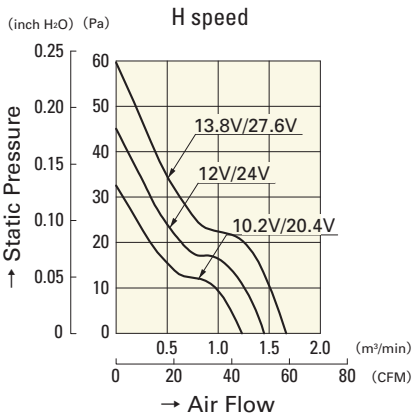


### Resin filter kits

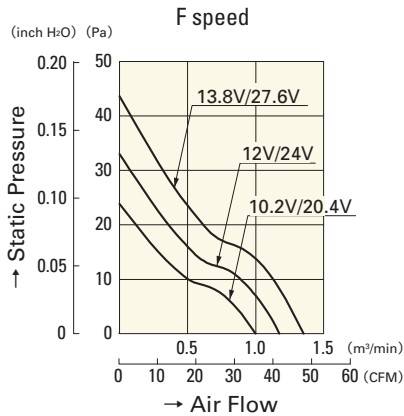
Model : 109-1001F13 (13PPI), 109-1001F20 (20PPI)  
: 109-1001F30 (30PPI), 109-1001F40 (40PPI)



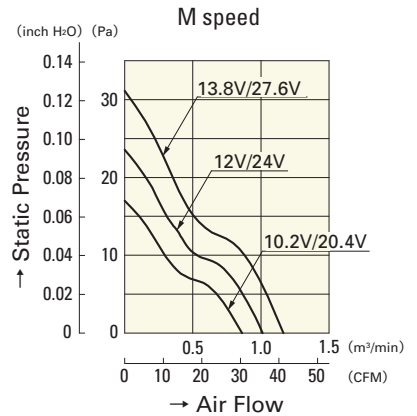
## Air Flow and Static Pressure Characteristics



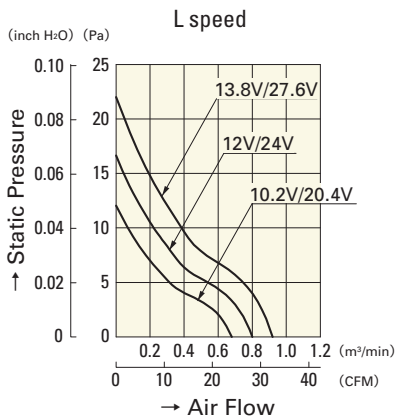
**9WS0912H401**  
**9WS0924H401**



**9WS0912F401**  
**9WS0924F401**



**9WS0912M401**  
**9WS0924M401**



**9WS0912L401**  
**9WS0924L401**