

Splash Proof Fan

92mm

San Ace 92W

25mm thick
25mm thick(WS type),
25mm thick(WP type)



General Specifications With a pulse sensor Specifications for pulse sensors ⇨ Refer to Page 239

*Please inquire about other specifications.

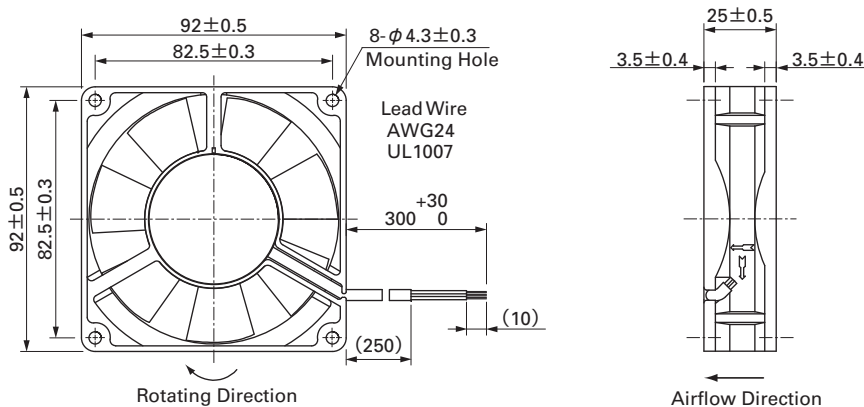
- Material Frame: Aluminum, Impeller:Plastics (Flammability: UL94V-1)
- Life Expectancy Varies for each model(L10:Survival rate: 90% at 60°C , rated voltage,and continuously run in a free air state)
- Lead Wire ⊕red ⊖black (Sensor) yellow
- Storage Temperature -30°C to +70°C (Non-condensing)

92mm×25mm thick (Mass : 190g) IP 55 Dust resistant device with protection against water jets

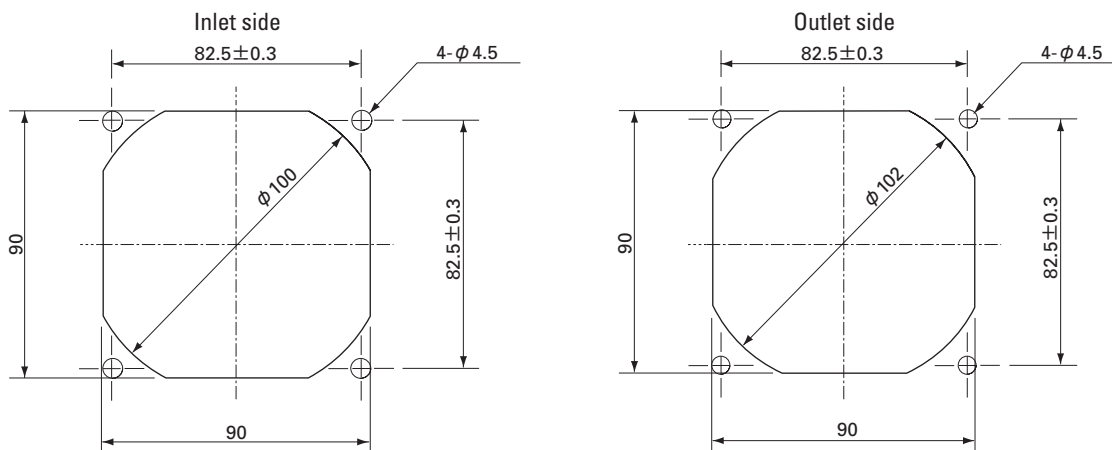
Specifications

Model No.	Rated Voltage (V)	Operating Voltage Range (V)	Rated Current (A)	Rated Input (W)	Rated Speed (min ⁻¹)	Air Flow (m ³ /min) (CFM)	Static Pressure (Pa) (inchH ₂ O)	SPL (dB[A])	Operating Temperature Range (°C)	Life Expectancy (h)
109W0912H401-U	12	10.2 to 13.8	0.21	2.52	2,850	1.38 48.7	45.1 0.181	33	- 10 to + 70	100,000
109W0912F401-U			0.14	1.68	2,450	1.18 41.7	32.3 0.130	30		
109W0912M401-U			0.11	1.32	2,100	1.01 35.7	23.5 0.094	27		
109W0912L401-U			0.08	0.96	1,700	0.80 28.2	16.7 0.067	23		
109W0924H401-U	24	20.4 to 27.6	0.12	2.88	2,850	1.38 48.7	45.1 0.181	33		
109W0924F401-U			0.08	1.92	2,450	1.18 41.7	32.3 0.130	30		
109W0924M401-U			0.06	1.44	2,100	1.01 35.7	23.5 0.094	27		
109W0924L401-U			0.05	1.2	1,700	0.80 28.2	16.7 0.067	23		
109W0948H401-U	48	40.8 to 55.2	0.06	2.88	2,850	1.38 48.7	45.1 0.181	33		

Dimensions (Unit : mm)



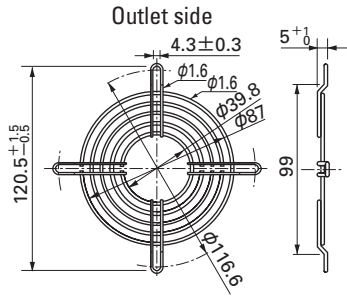
Reference dimension of mounting holes and vent opening (Unit : mm)



Options (Unit : mm)

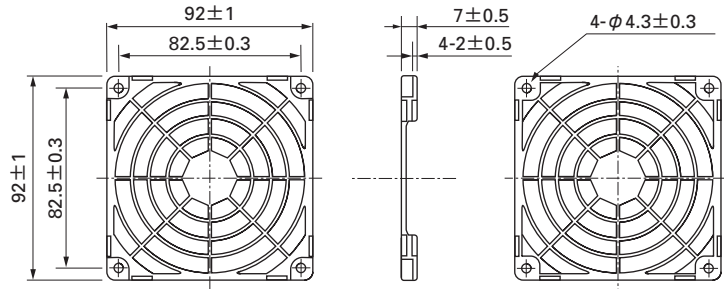
Finger guards

Model : 109-099C Surface treatment : Nickel-chrome plating (silver) Color : Nickel-chrome plating (silver)

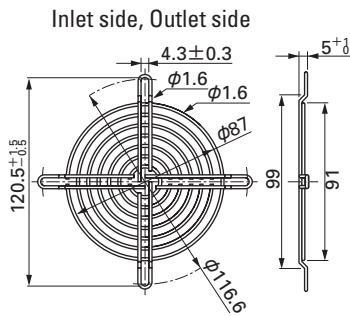


Resin Finger guards

Model : 109-1001G

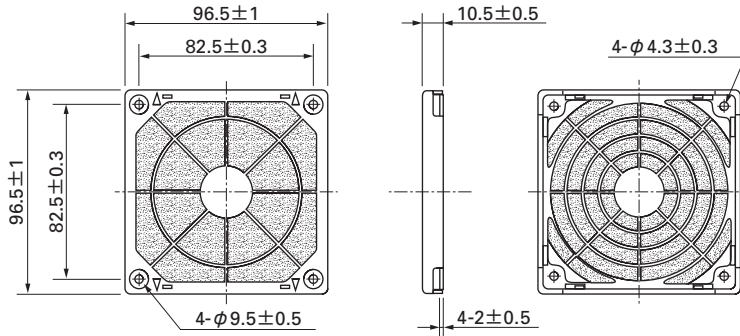


Model : 109-099E Surface treatment : Nickel-chrome plating (silver) Color : Nickel-chrome plating (silver)
: 109-099H : Cation electropainting (black)

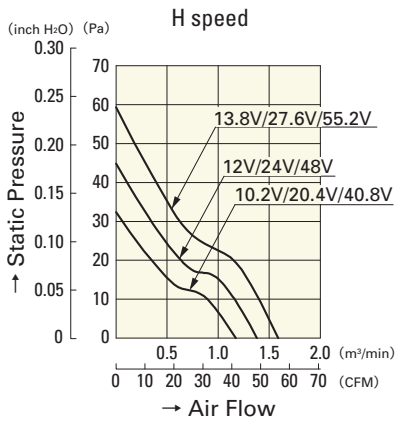


Resin filter kits

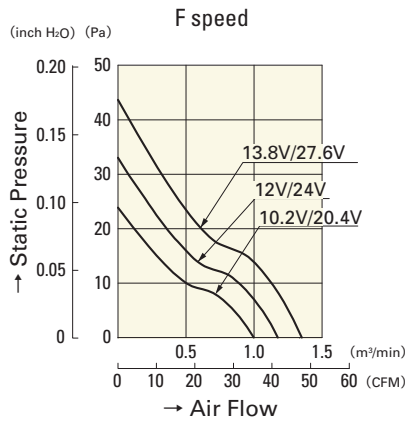
Model : 109-1001F13 (13PPI), 109-1001F20 (20PPI)
: 109-1001F30 (30PPI), 109-1001F40 (40PPI)



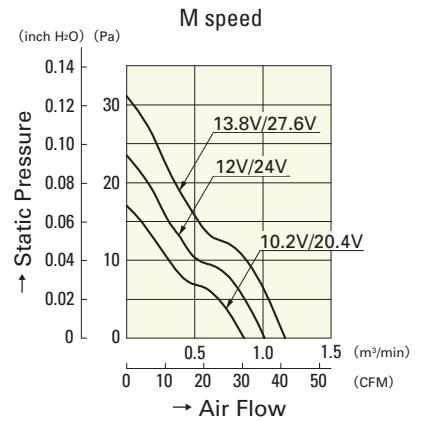
Air Flow and Static Pressure Characteristics



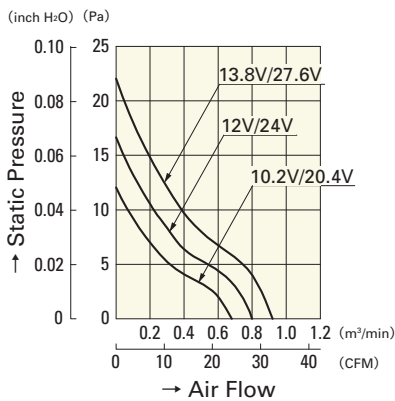
109W0912H401-U
109W0924H401-U
109W0948H401-U



109W0912F401-U
109W0924F401-U



109W0912M401-U
109W0924M401-U



109W0912L401-U
109W0924L401-U