

Splash Proof Fan

92mm

San Ace 92W

25mm thick
25mm thick(WS type),
25mm thick(WP type)



General Specifications **With a pulse sensor** Specifications for pulse sensors ⇔ Refer to Page 239

*Please inquire about other specifications.

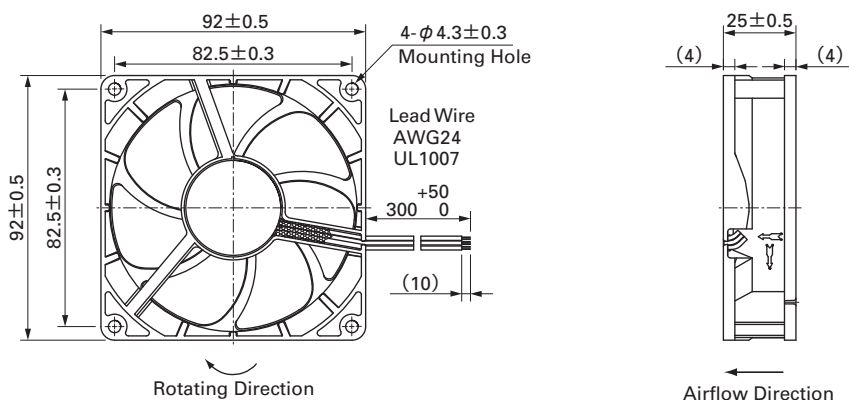
- Material Frame: Plastics (Flammability: UL94V-0), Impeller:Plastics (Flammability: UL94V-0)
- Life ExpectancyVaries for each model(L10:Survival rate: 90% at 60°C , rated voltage,and continuously run in a free air state)
- Lead Wire⊕red ⊖black (Sensor) yellow
- Storage Temperature-30°C to +70°C (Non-condensing)

92mm×25mm thick (Mass : 120g) **IP 55** Dust resistant device with protection against water jets **WP type**

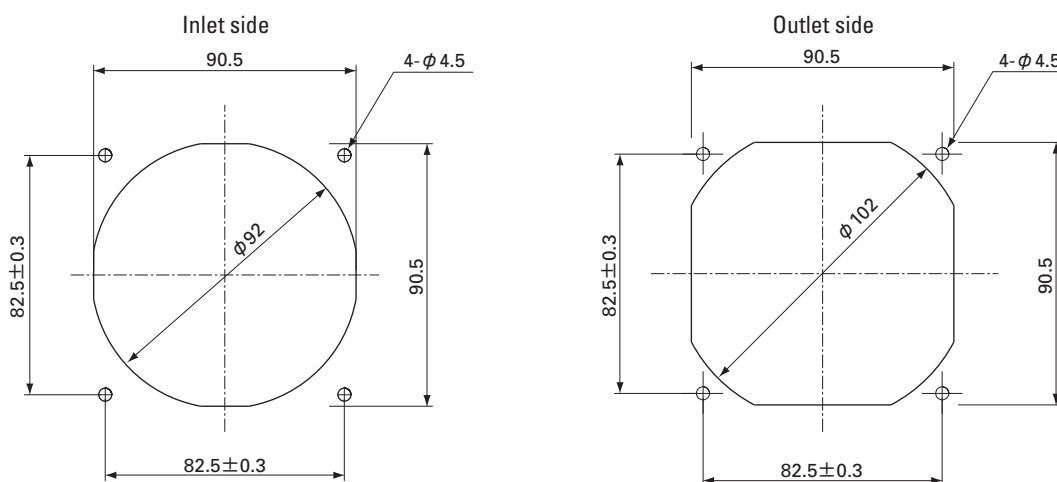
Specifications

Model No.	Rated Voltage (V)	Operating Voltage Range (V)	Rated Current (A)	Rated Input (W)	Rated Speed (min ⁻¹)	Air Flow (m ³ /min) (CFM)	Static Pressure (Pa) (inchH ₂ O)	SPL (dB[A])	Operating Temperature Range (°C)	Life Expectancy (h)
9WP0924F401	24	12 to 27.6	0.08	1.92	2,650	1.24 43.8	32.2 0.129	30	- 10 to + 70	40,000
9WP0924B401			0.05	1.20	2,000	0.90 31.8	18.0 0.072	23		

Dimensions (Unit : mm)



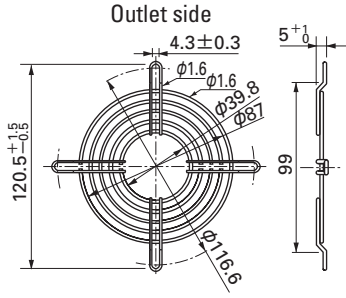
Reference dimension of mounting holes and vent opening (Unit : mm)



Options (Unit : mm)

Finger guards

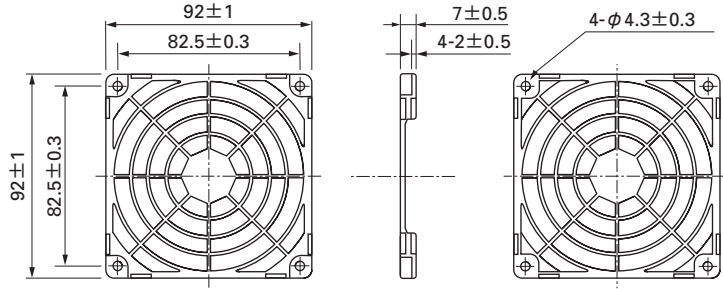
Model : 109-099C



Color

Resin Finger guards

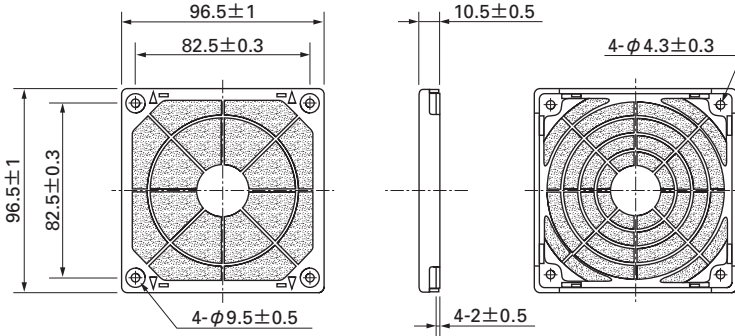
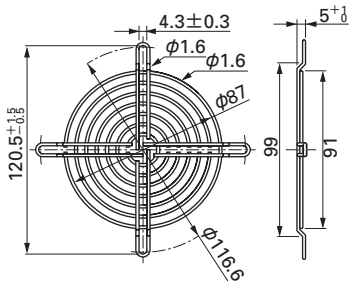
Model : 109-1001G



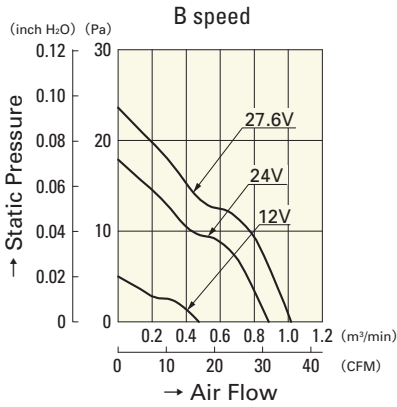
Model : 109-099E
: 109-099H

Color

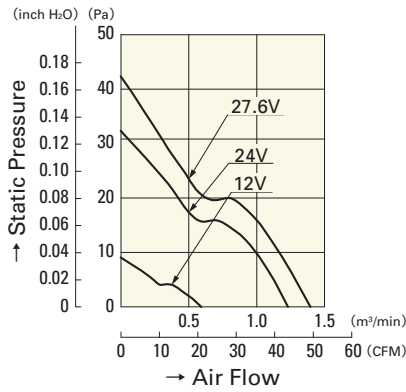
Resin filter kits



Air Flow and Static Pressure Characteristics



9WP0924B401



9WP0924F401