

**DC Fan**

**92mm**

**San Ace 92**

25mm thick, 25mm thick (San Cooler)  
32mm thick (G type), 38mm thick (GV type)  
38mm thick (G type)



**General Specifications** With a pulse sensor Specifications for pulse sensors ⇨ Refer to Page 239

\*Please inquire about other specifications.

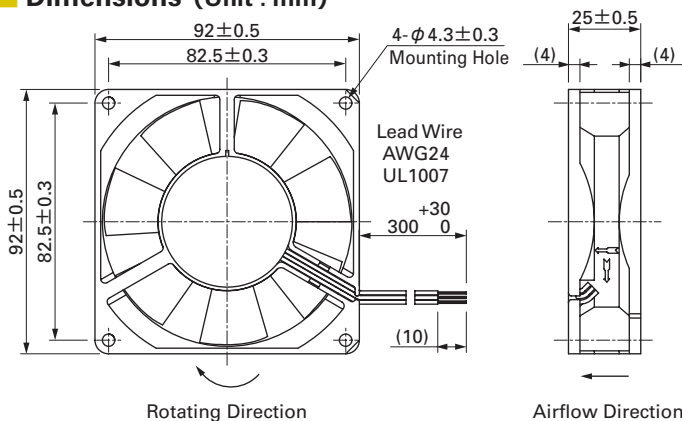
- Material ..... Frame: Plastics (Flammability: UL94V-0),  
Impeller: Plastics (Flammability: UL94V-1)
- Life Expectancy ..... Varies for each model (L10: Survival rate: 90% at 60°C, rated voltage, and continuously run in a free air state)
- Lead Wire ..... ⊕red ⊖black (Sensor) yellow
- Storage Temperature ..... -30°C to +70°C (Non-condensing)

**92mm × 25mm thick** (Mass : 150g)

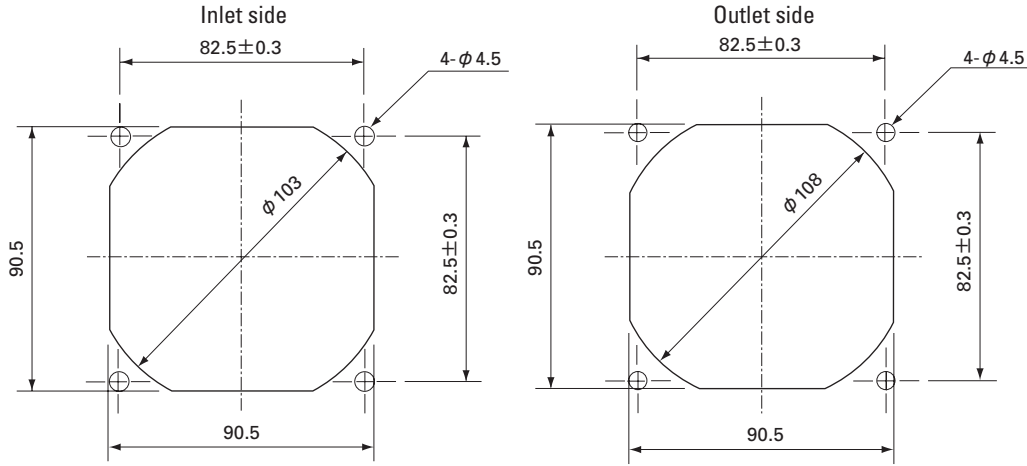
**Specifications** The numbers in ( ) represent ribless models.

| Model No.          | Rated Voltage (V) | Operating Voltage Range (V) | Rated Current (A) | Rated Input (W) | Rated Speed (min <sup>-1</sup> ) | Air Flow (m <sup>3</sup> /min) (CFM) | Static Pressure (Pa) (inchH <sub>2</sub> O) | SPL (dB(A)) | Operating Temperature Range (°C) | Life Expectancy (h) |
|--------------------|-------------------|-----------------------------|-------------------|-----------------|----------------------------------|--------------------------------------|---|-------------|----------------------------------|---------------------|
| 109P0912W401(4011) | 12                | 6 to 16                     | 0.21              | 2.52            | 2,850                            | 1.45 51.2                            | 45.1 0.181                                  | 33          | -10 to +70                       | 40,000              |
| 109P0912H401(4011) |                   |                             | 0.21              | 2.52            | 2,850                            | 1.45 51.2                            | 45.1 0.181                                  | 33          |                                  |                     |
| 109P0912F401(4011) |                   | 10.2 to 13.8                | 0.14              | 1.68            | 2,450                            | 1.24 43.8                            | 32.3 0.130                                  | 30          |                                  |                     |
| 109P0912M401(4011) |                   |                             | 0.1               | 1.2             | 2,100                            | 1.04 36.7                            | 23.5 0.094                                  | 27          |                                  |                     |
| 109P0912L401(4011) |                   |                             | 0.07              | 0.84            | 1,700                            | 0.8 28.3                             | 16.7 0.067                                  | 23          |                                  |                     |
| 109P0924W401(4011) | 24                | 12 to 30                    | 0.12              | 2.88            | 2,850                            | 1.45 51.2                            | 45.1 0.181                                  | 33          |                                  |                     |
| 109P0924H401(4011) |                   |                             | 0.12              | 2.88            | 2,850                            | 1.45 51.2                            | 45.1 0.181                                  | 33          |                                  |                     |
| 109P0924F401(4011) |                   | 20.4 to 27.6                | 0.08              | 1.92            | 2,450                            | 1.24 43.8                            | 32.3 0.130                                  | 30          |                                  |                     |
| 109P0924M401(4011) |                   |                             | 0.06              | 1.44            | 2,100                            | 1.04 36.7                            | 23.5 0.094                                  | 27          |                                  |                     |
| 109P0924L401(4011) |                   |                             | 0.05              | 1.2             | 1,700                            | 0.8 28.3                             | 16.7 0.067                                  | 23          |                                  |                     |
| 109P0948H401(4011) | 48                | 43 to 53                    | 0.06              | 2.88            | 2,850                            | 1.45 51.2                            | 45.1 0.181                                  | 33          |                                  |                     |

**Dimensions (Unit : mm)**



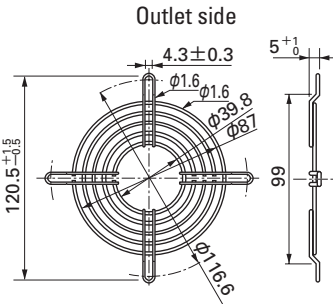
Reference dimension of mounting holes and vent opening (Unit : mm)



Options (Unit : mm)

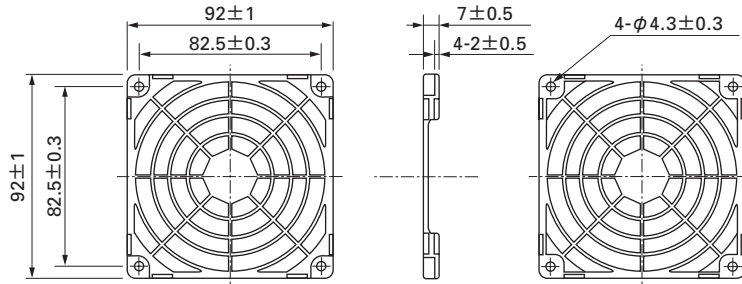
Finger guards

Model : 109-099C Surface treatment : Nickel-chrome plating (silver) Color (silver)



Resin finger guards

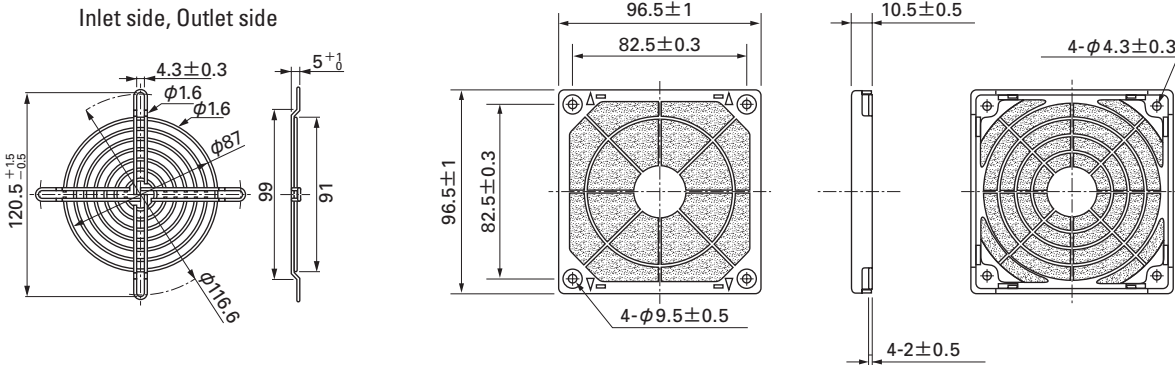
Model : 109-1001G



Model : 109-099E Surface treatment : Nickel-chrome plating (silver) Color (silver)  
: 109-099H : Cation electropainting (black)

Resin filter kits

Model : 109-1001F13 (13PPI), 109-1001F20 (20PPI)  
: 109-1001F30 (30PPI), 109-1001F40 (40PPI)

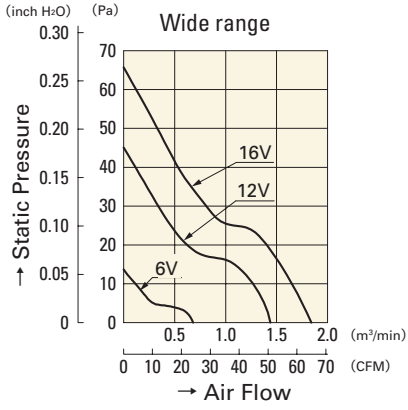


92mm

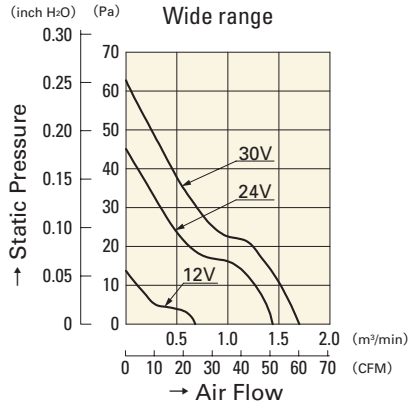
# San Ace 92

92mm × 25mm thick (Mass : 150g)

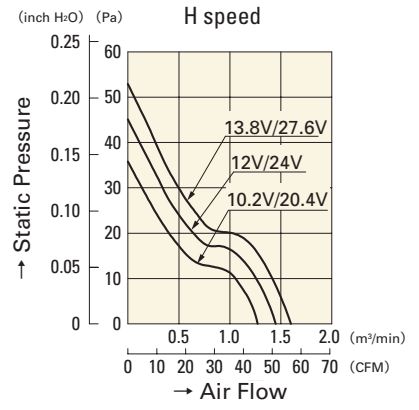
## Air Flow and Static Pressure Characteristics



**109P0912W401(4011)**

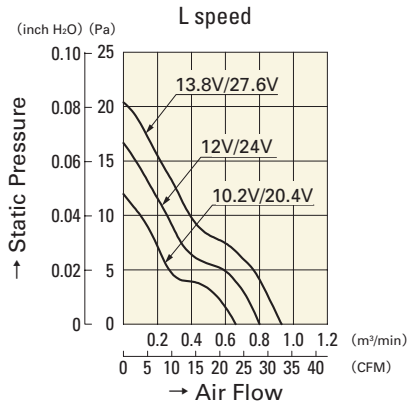


**109P0924W401(4011)**



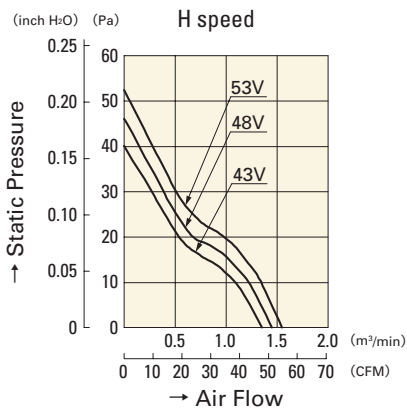
**109P0912H401(4011)**

**109P0924H401(4011)**

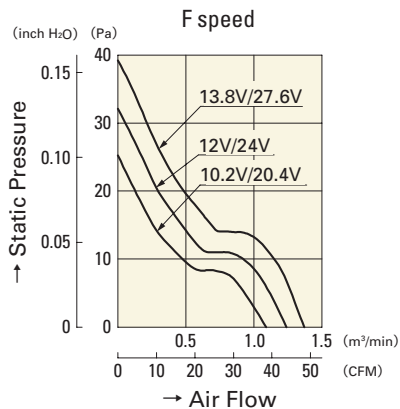


**109P0912L401(4011)**

**109P0924L401(4011)**

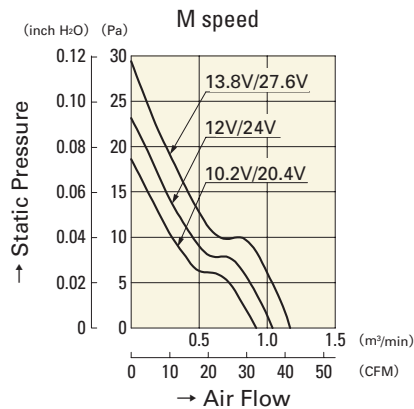


**109P0948H401(4011)**



**109P0912F401(4011)**

**109P0924F401(4011)**



**109P0912M401(4011)**

**109P0924M401(4011)**