

DC Fan

92mm

San Ace 92

25mm thick, 25mm thick (San Cooler)
 32mm thick (G type), 38mm thick (GV type)
 38mm thick (G type)



General Specifications With a pulse sensor Specifications for pulse sensors ⇨ Refer to Page 239

*Please inquire about other specifications.

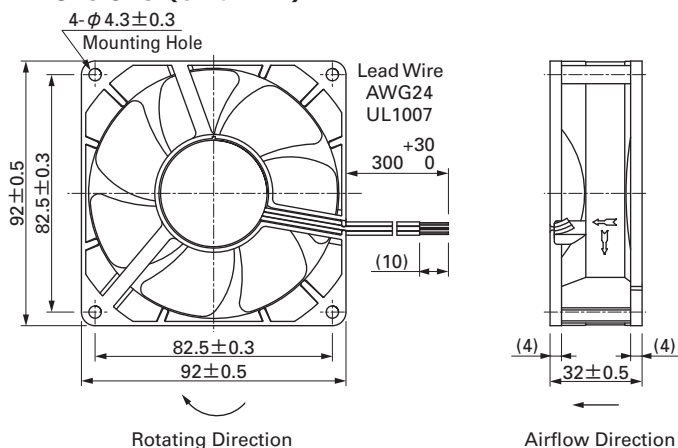
- Material Frame: Plastics (Flammability: UL94V-0),
 Impeller: Plastics (Flammability: UL94V-1)
- Life Expectancy Varies for each model (L10: Survival rate: 90% at 60°C, rated voltage, and continuously run in a free air state)
- Lead Wire ⊕red ⊖black (Sensor) yellow
- Storage Temperature -30°C to +70°C (Non-condensing)

92mm × 32mm thick (Mass : 170g) **G type**

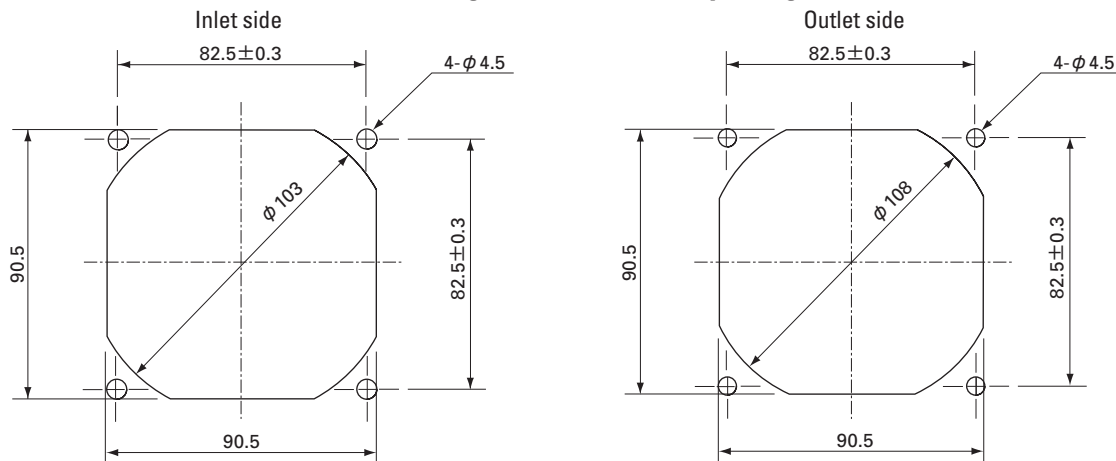
Specifications The numbers in () represent ribless models.

Model No.	Rated Voltage (V)	Operating Voltage Range (V)	Rated Current (A)	Rated Input (W)	Rated Speed (min ⁻¹)	Air Flow (m ³ /min) (CFM)	Static Pressure (Pa) (inchH ₂ O)	SPL (dB(A))	Operating Temperature Range (°C)	Life Expectancy (h)
9G0912A201(2011)	12	10.2 to 13.8	0.58	6.96	4,300	2.50 88.3	115 0.462	44	-10 to +70	40,000
9G0912S201(2011)			0.38	4.56	3,500	2.00 70.7	77 0.309	38		
9G0912H201(2011)			0.23	2.76	2,850	1.59 56.2	51 0.205	32		
9G0912M201(2011)			0.13	1.56	2,100	1.20 42.4	27 0.108	25		
9G0924A201(2011)	24	20.4 to 27.6	0.30	7.20	4,300	2.50 88.3	115 0.462	44	-10 to +60	
9G0924S201(2011)			0.19	4.56	3,500	2.00 70.7	77 0.309	38		
9G0924H201(2011)			0.12	2.88	2,850	1.59 56.2	51 0.205	32		
9G0924M201(2011)			0.08	1.92	2,100	1.20 42.4	27 0.108	25		
9G0948A201(2011)	48	40.8 to 55.2	0.16	7.68	4,300	2.50 88.3	115 0.462	44	-10 to +70	
9G0948S201(2011)			0.11	5.28	3,500	2.00 70.7	77 0.309	38		
9G0948H201(2011)			0.08	3.84	2,850	1.59 56.2	51 0.205	32		
9G0948M201(2011)			0.05	2.40	2,100	1.20 42.4	27 0.108	25		

Dimensions (Unit : mm)



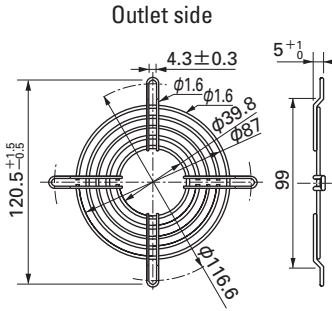
Reference dimension of mounting holes and vent opening (Unit : mm)



Options (Unit : mm)

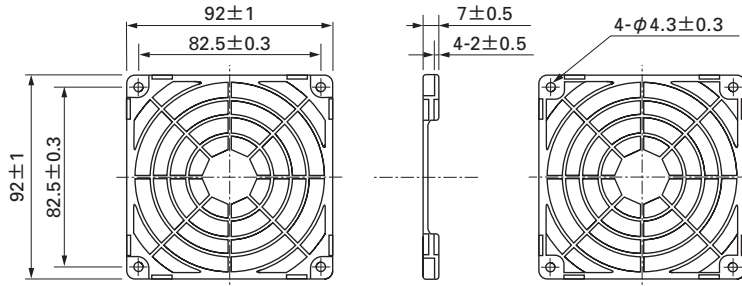
Finger guards

Model : 109-099C Color : Nickel-chrome plating (silver)

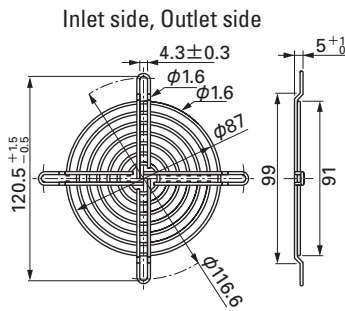


Resin finger guards

Model : 109-1001G

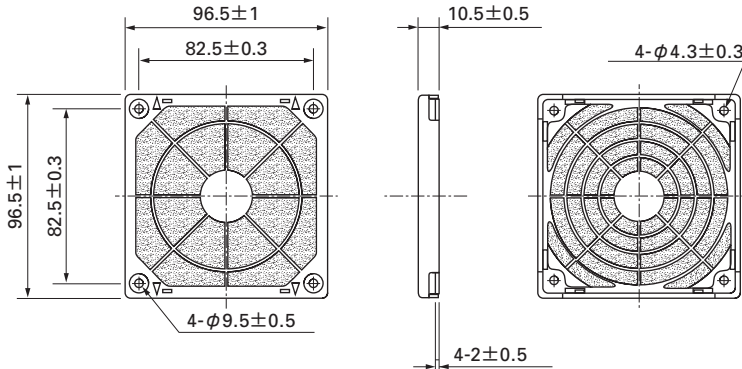


Model : 109-099E Color : Nickel-chrome plating (silver)
: 109-099H : Cation electropainting (black)

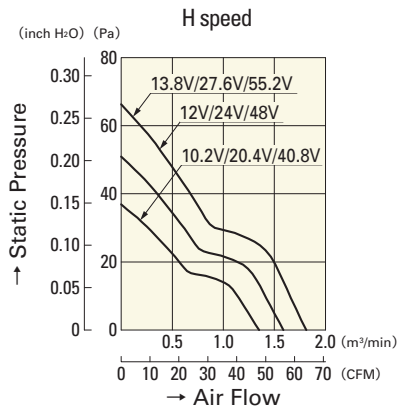
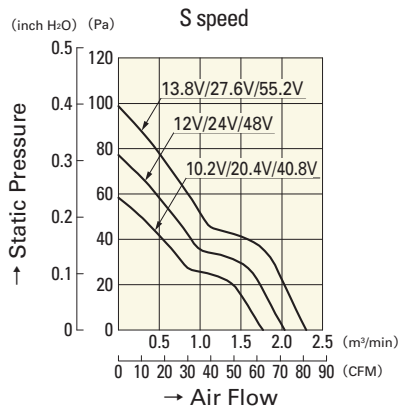
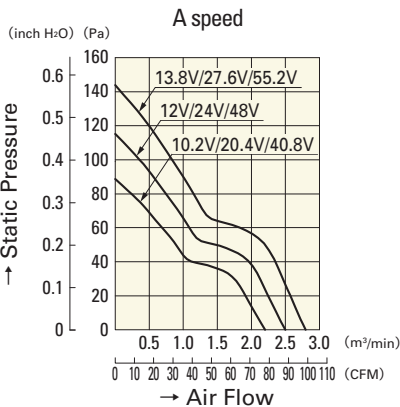


Resin filter kits

Model : 109-1001F13 (13PPI), 109-1001F20 (20PPI)
: 109-1001F30 (30PPI), 109-1001F40 (40PPI)



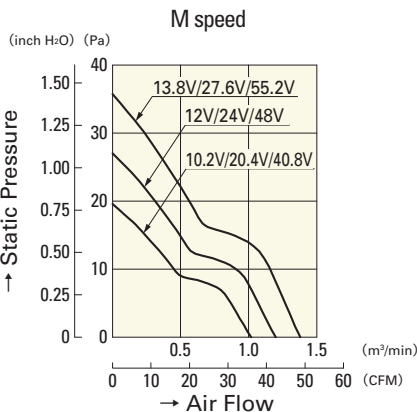
Air Flow and Static Pressure Characteristics



- 9G0912A201(2011)
- 9G0924A201(2011)
- 9G0948A201(2011)

- 9G0912S201(2011)
- 9G0924S201(2011)
- 9G0948S201(2011)

- 9G0912H201(2011)
- 9G0924H201(2011)
- 9G0948H201(2011)



- 9G0912M201(2011)
- 9G0924M201(2011)
- 9G0948M201(2011)