

DC Fan

92mm

San Ace 92

25mm thick, 25mm thick (San Cooler)
 32mm thick (G type), 38mm thick (GV type)
38mm thick (G type)



General Specifications With a pulse sensor Specifications for pulse sensors ⇨ Refer to Page 239

*Please inquire about other specifications.

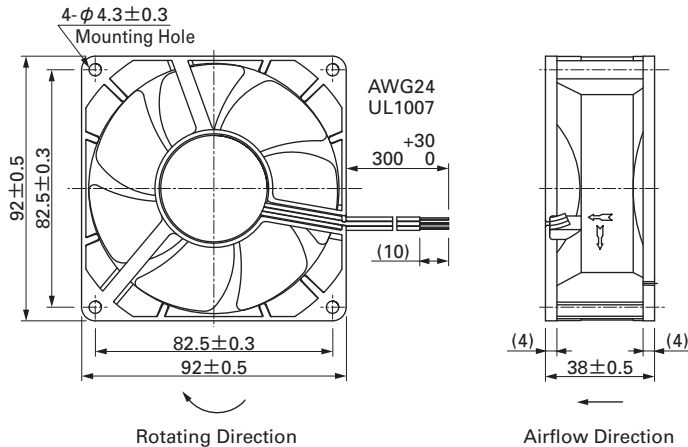
- Material Frame: Plastics (Flammability: UL94V-0),
 Impeller: Plastics (Flammability: UL94V-0)
- Life Expectancy Varies for each model (L10: Survival rate: 90% at 60°C,
 rated voltage, and continuously run in a free air state)
- Lead Wire ⊕red ⊖black Sensor yellow
- Storage Temperature -30°C to +70°C (Non-condensing)

92mm × 38mm thick (Mass : 180g) G type

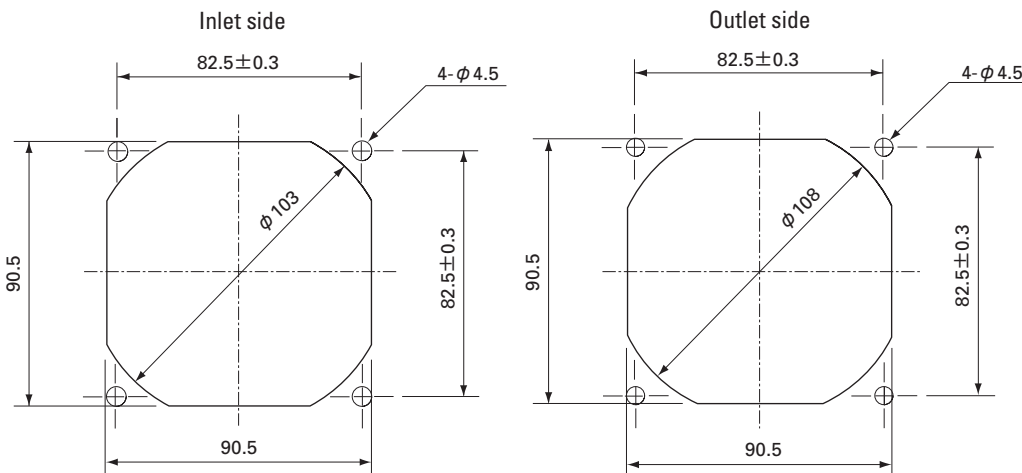
Specifications The numbers in () represent ribless models.

Model No.	Rated Voltage (V)	Operating Voltage Range (V)	Rated Current (A)	Rated Input (W)	Rated Speed (min ⁻¹)	Air Flow (m ³ /min) (CFM)		Static Pressure (Pa) (inchH ₂ O)		SPL (dB(A))	Operating Temperature Range (°C)	Life Expectancy (h)
9G0912G101(1011)	12	7.0 to 13.8	1.1	13.2	5,000	3.10	110	150	0.602	50	-10 to +60	40,000
9G0912H101(1011)			0.58	6.96	4,000	2.54	90	100	0.402	43		
9G0924G101(1011)	24	20.4 to 27.6	0.55	13.2	5,000	3.10	110	150	0.602	50		
9G0924H101(1011)			0.3	7.2	4,000	2.54	90	100	0.402	43		
9G0948G101(1011)	48	40.8 to 55.2	0.27	12.96	5,000	3.10	110	150	0.602	50		
9G0948H101(1011)			0.16	7.68	4,000	2.54	90	100	0.402	43		

Dimensions (Unit : mm)



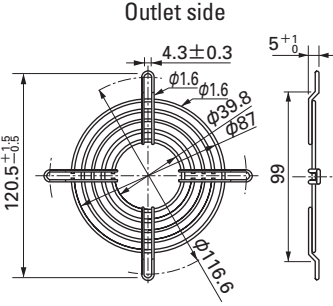
Reference dimension of mounting holes and vent opening (Unit : mm)



Options (Unit : mm)

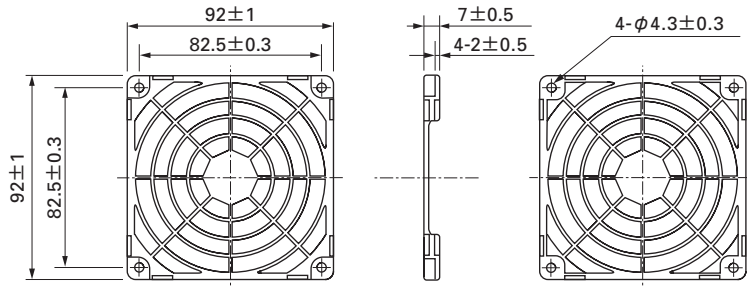
Finger guards

Model : 109-099C Surface treatment : Nickel-chrome plating (silver) Color (silver)



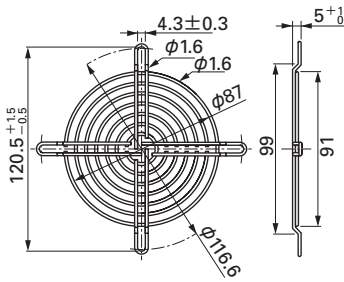
Resin finger guards

Model : 109-1001G



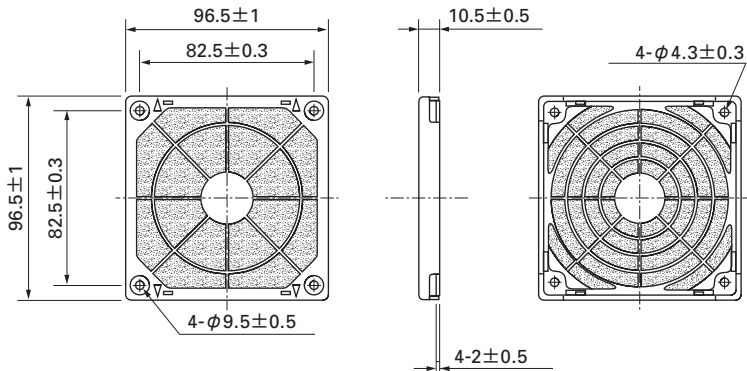
Model : 109-099E Surface treatment : Nickel-chrome plating (silver) Color (silver)
: 109-099H : Cation electropainting (black)

Inlet side, Outlet side

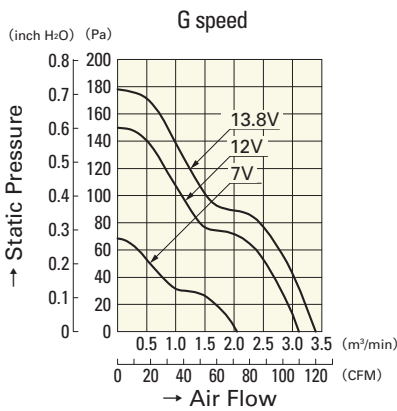


Resin filter kits

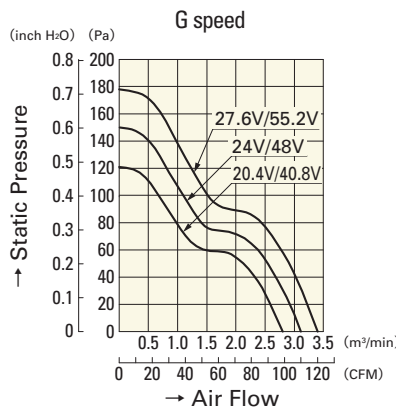
Model : 109-1001F13 (13PPI), 109-1001F20 (20PPI)
: 109-1001F30 (30PPI), 109-1001F40 (40PPI)



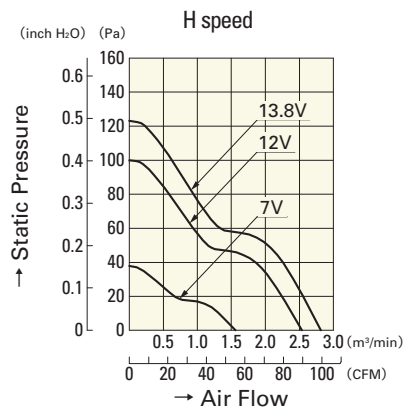
Air Flow and Static Pressure Characteristics



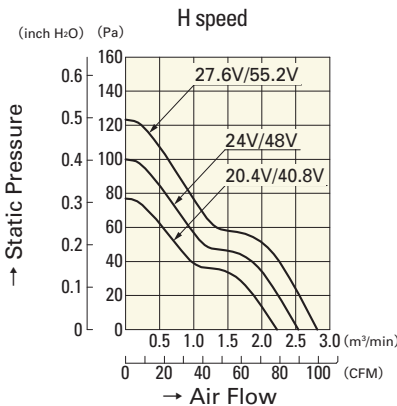
9G0912G101(1011)



9G0924G101(1011)
9G0948G101(1011)



9G0912H101(1011)



9G0924H101(1011)
9G0948H101(1011)