

Thermal Speed Controlled Fan

120mm

San Ace 120

25mm thick, 38mm thick
with an external thermistor/
with a built-in thermistor



General Specifications

- Material Frame: Plastics (Flammability: UL94V-0), Impeller: Plastics (Flammability: UL94V-1)
- Life Expectancy Varies for each model (L10: Survival rate: 90% at 60°C, rated voltage, and continuously run in a free air state)
- Lead Wire ⊕red ⊖black (Control) brown (Only for external thermistor type)
- Fail-safe The motor becomes high speed when the thermistor is unable to detect the temperature in case of open or short circuit etc.
- Storage Temperature -30°C to +70°C (Non-condensing)

120mm × 25mm thick (Mass : 210g)

Specifications with an external thermistor

Model No.	Rated Voltage (V)	Operating Voltage Range (V)	Rated Current (A)	Rated Input (W)	Rated Speed (min ⁻¹)	Air Flow (m ³ /min) (CFM)	Static Pressure (Pa) (inchH ₂ O)	SPL (dB[A])	Operating Temperature Range (°C)	Life Expectancy (h)
109P1212T4H12(121)	12	10.2 to 13.8	0.55	6.6	2,800	2.5 88.3	53.9 0.216	40	-10 to +60	40,000
			0.22	2.64	1,400	1.25 44.1	13.7 0.055	25		

Note: The top row gives characteristics shown when the thermistor temperature is 35°C, while the bottom row gives characteristics shown when the thermistor temperature is 28°C.

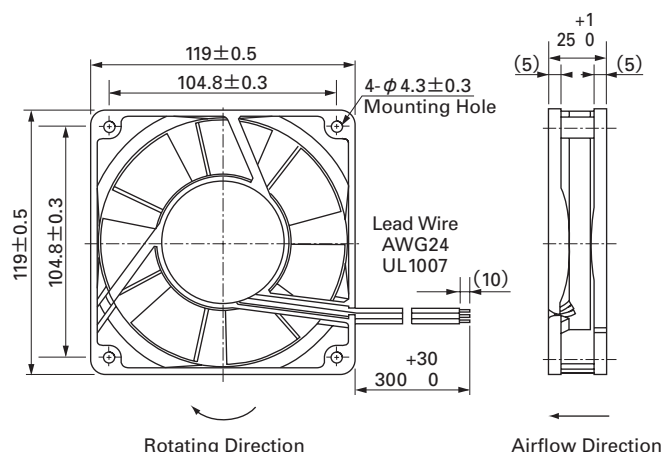
with a built-in thermistor

Model No.	Rated Voltage (V)	Operating Voltage Range (V)	Rated Current (A)	Rated Input (W)	Rated Speed (min ⁻¹)	Air Flow (m ³ /min) (CFM)	Static Pressure (Pa) (inchH ₂ O)	SPL (dB[A])	Operating Temperature Range (°C)	Life Expectancy (h)
109P1212T4H122(123)	12	10.2 to 13.8	0.55	6.6	2,800	2.5 88.3	53.9 0.216	40	-10 to +60	40,000
			0.22	2.64	1,400	1.25 44.1	13.7 0.055	25		

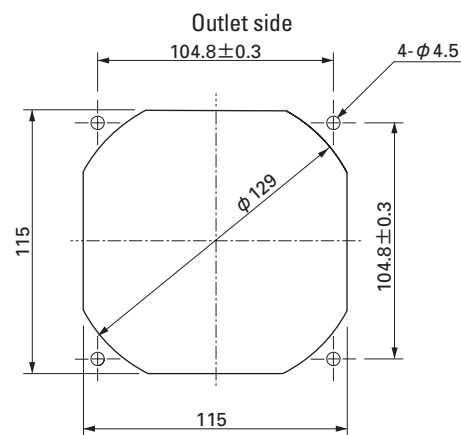
Note: The top row gives characteristics shown when the temperature is 40°C, while the bottom row gives characteristics shown when the temperature is 30°C.

Dimensions (Unit : mm)

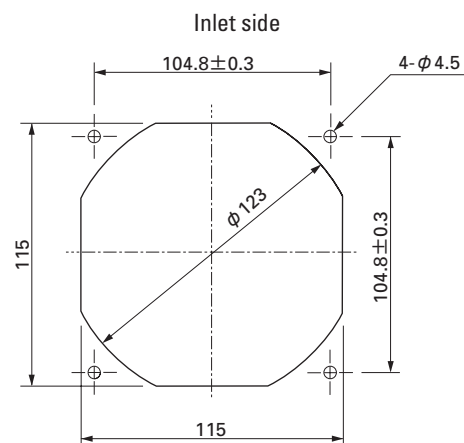
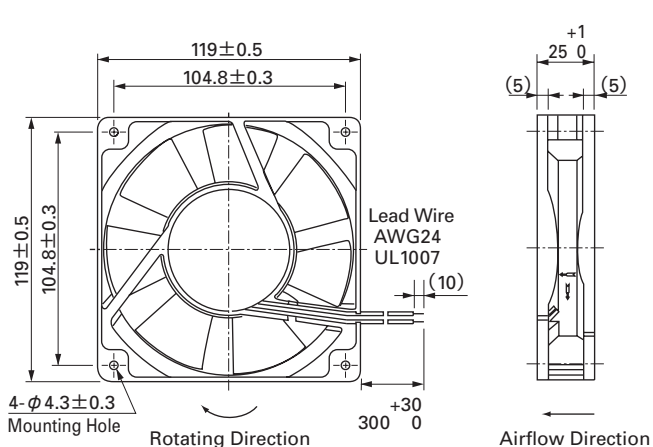
with an external thermistor



Reference dimension of mounting holes and vent opening (Unit : mm)



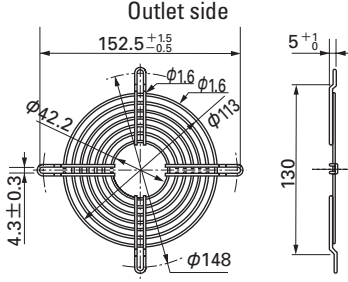
with a built-in thermistor



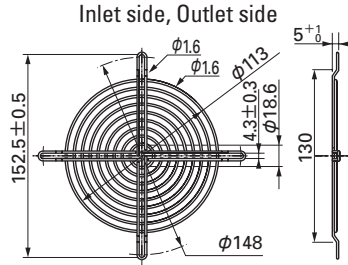
Options (Unit : mm)

Finger guards

Model : 109-019C Surface treatment : Nickel-chrome plating (silver)
 : 109-019H : Cation electropainting (black)

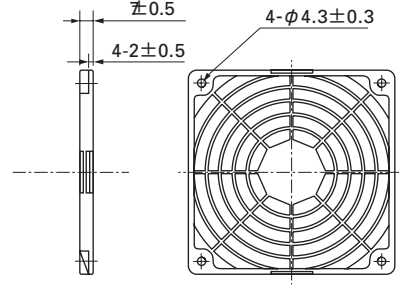
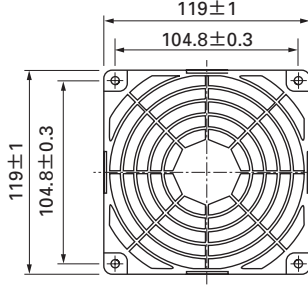


Model : 109-019E Surface treatment : Nickel-chrome plating (silver)
 : 109-019K : Cation electropainting (black)



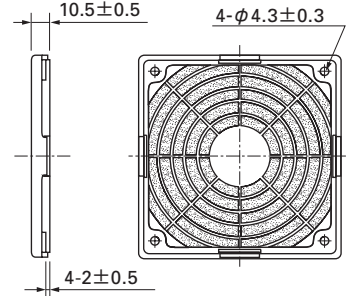
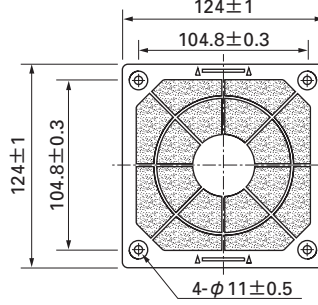
Resin finger guards

Model : 109-1000G



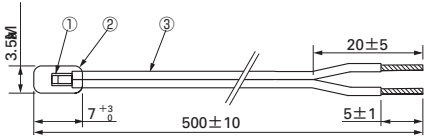
Resin filter kits

Model : 109-1000F13 (13PPI), 109-1000F20 (20PPI), 109-1000F30 (30PPI), 109-1000F40 (40PPI)



Thermistor

Model : 169-002

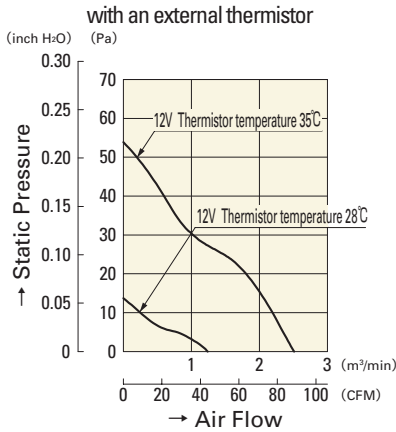


Number	Name	Standards,materials, etc.
①	Thermistor	Chip
②	Insulated cord	Epoxy resin
③	Lead	UL2555 CSA TR-64 AWG#28 (blue)

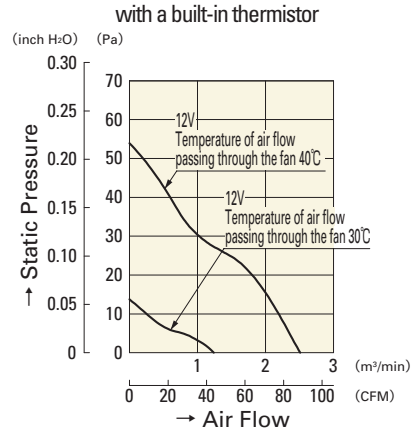
Item	Spec	
2-1	Resistance	R25 6.8KΩ±3%
2-2	B constant	B25/50 3950K±2%
2-3	Maximum rated power	188mW (25°C under still air)
2-4	Insulation resistance	100MΩ or more (DC500V megger)
2-5	Dielectric strength	No problem (AC1500V 1 minute)
2-6	Operating temperature range	-30°C to +80°C
2-7	Storage temperature range	-40°C to +100°C

Manufactured by OHIZUMI MFG CO. LTD

Air Flow and Static Pressure Characteristics

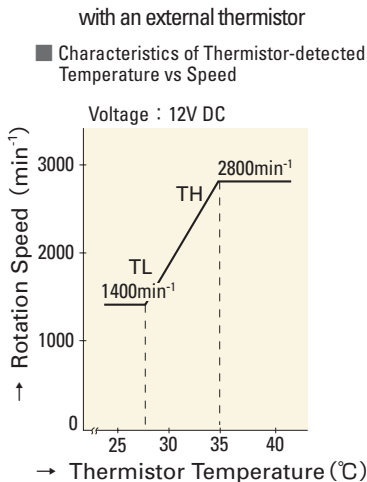


109P1212T4H12(121)

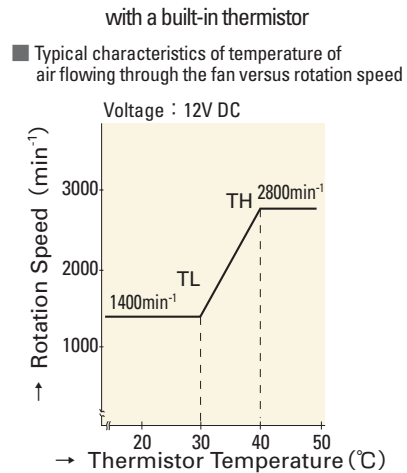


109P1212T4H122(123)

Temperature-Rotation Speed Characteristics



109P1212T4H12(121)



109P1212T4H122(123)