

**Long Life Fan**

**120mm**

**San Ace 120L**

38mm thick(Low noise)  
38mm thick(G type)



**General Specifications** With a pulse sensor Specifications for pulse sensors ⇔ Refer to Page 239

\*Please inquire about other specifications.

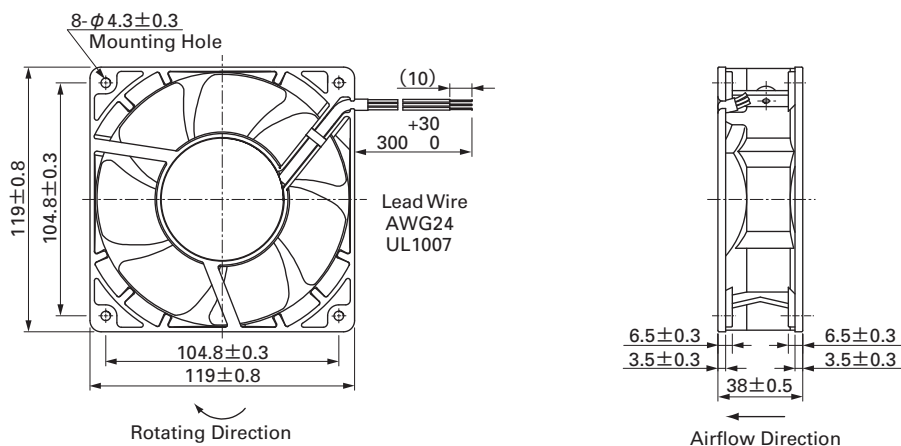
- Material ..... Frame: Aluminum, Impeller:Plastics (Flammability: UL94V-1)
- Life Expectancy ..... Varies for each model(L10:Survival rate: 90% at 60°C ,  
rated voltage,and continuously run in a free air state)
- Lead Wire ..... ⊕red ⊖black Sensor yellow
- Storage Temperature ... -30°C to +70°C (Non-condensing)

**120mm×38mm thick** (Mass : 370g) **Low noise**

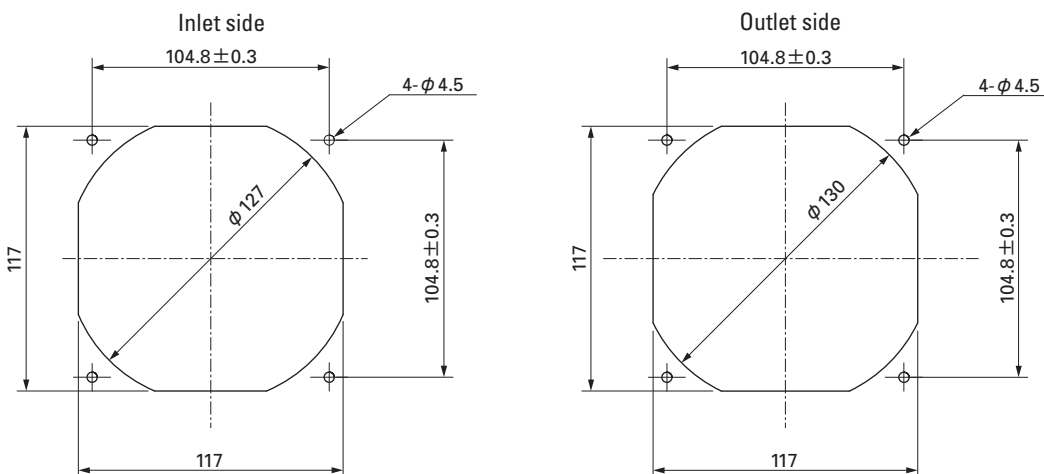
**Specifications**

Model No.	Rated Voltage (V)	Operating Voltage Range (V)	Rated Current (A)	Rated Input (W)	Rated Speed (min <sup>-1</sup> )	Air Flow (m <sup>3</sup> /min) (CFM)		Static Pressure (Pa) (inchH <sub>2</sub> O)		SPL (dB[A])	Operating Temperature Range (°C)	Life Expectancy (h)
9LB1212H101	12	10.2 to 13.8	0.39	4.68	2,600	2.9	102.4	67.62	0.272	39	- 10 to + 70	200,000
9LB1212M101			0.22	2.64	2,000	2.2	77.7	42.14	0.169	32		
9LB1224H101	24	20.4 to 27.6	0.19	4.56	2,600	2.9	102.4	67.62	0.272	39		
9LB1224M101			0.11	2.64	2,000	2.2	77.7	42.14	0.169	32		
9LB1248H101	48	40.8 to 55.2	0.11	5.28	2,600	2.9	102.4	67.62	0.272	39		
9LB1248M101			0.06	2.88	2,000	2.2	77.7	42.14	0.169	32		

**Dimensions (Unit : mm)**



**Reference dimension of mounting holes and vent opening (Unit : mm)**

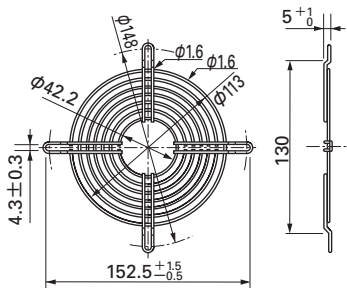


## Options (Unit : mm)

### Finger guards

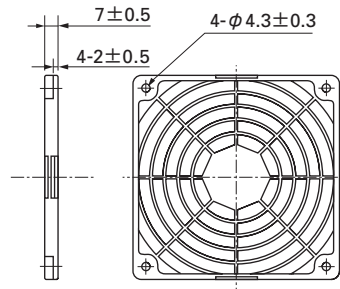
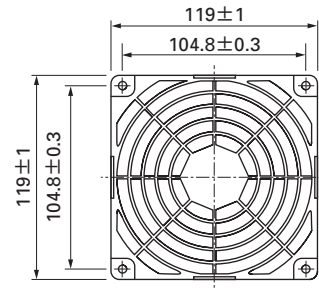
Model : 109-019C Surface treatment : Nickel-chrome plating (silver) Color  
 : 109-019H : Cation electropainting (black)

Outlet side



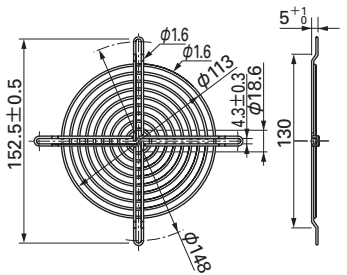
### Resin Finger guards

Model : 109-1000G



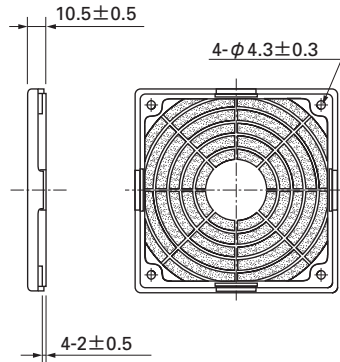
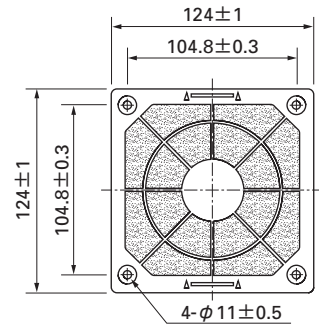
Model : 109-019E Surface treatment : Nickel-chrome plating (silver)  
 : 109-019K : Cation electropainting (black)

Inlet side, Outlet side

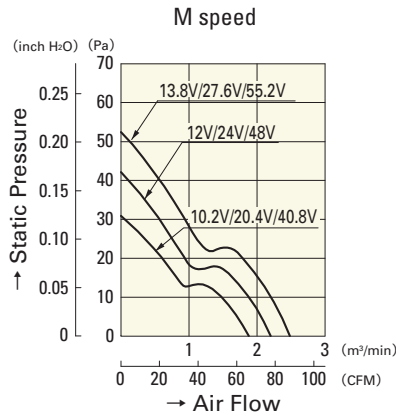
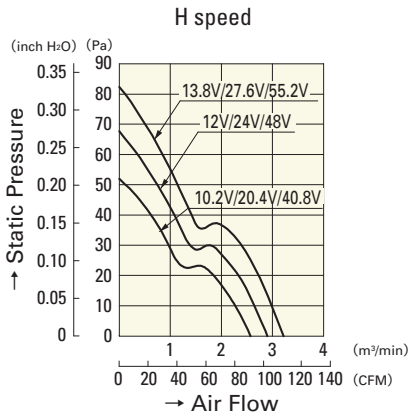


### Resin filter kits

Model : 109-1000F13 (13PPI), 109-1000F20 (20PPI)  
 : 109-1000F30 (30PPI), 109-1000F40 (40PPI)



## Air Flow and Static Pressure Characteristics



9LB1212H101

9LB1224H101

9LB1248H101

9LB1212M101

9LB1224M101

9LB1248M101