

**Splash Proof Fan**

**120mm**

**San Ace 120W**

38mm thick(WP type)  
38mm thick(WG type)  
38mm thick(WS type)



**General Specifications** With a pulse sensor Specifications for pulse sensors ⇨ Refer to Page 239

\*Please inquire about other specifications.

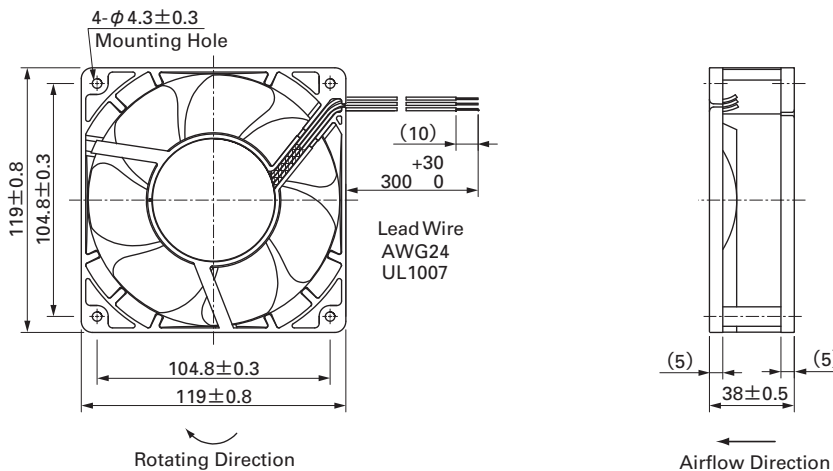
- Material ..... Frame: Plastics (Flammability: UL94V-0),  
Impeller: Plastics (Flammability: UL94V-1)
- Life Expectancy ..... Varies for each model(L10:Survival rate: 90% at 60°C ,  
rated voltage, and continuously run in a free air state)
- Lead Wire ..... ⊕red ⊖black Sensor yellow
- Storage Temperature ..... -30°C to +70°C (Non-condensing)

**120mm×38mm thick** (Mass : 360g) **IP 55** Dust resistant device with protection against water jets **WP type**

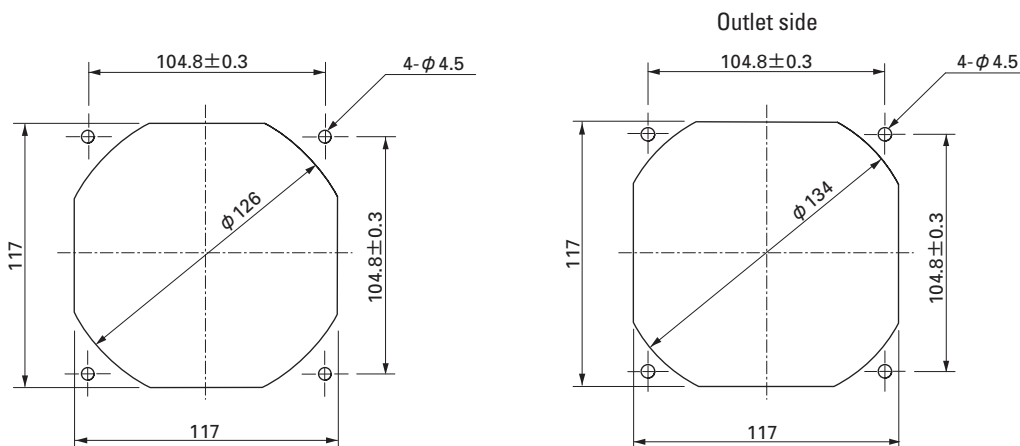
**Specifications** The numbers in ( ) represent ribless models.

Model No.	Rated Voltage (V)	Operating Voltage Range (V)	Rated Current (A)	Rated Input (W)	Rated Speed (min <sup>-1</sup> )	Air Flow (m <sup>3</sup> /min) (CFM)		Static Pressure (Pa) (inchH <sub>2</sub> O)		SPL (dB[A])	Operating Temperature Range (°C)	Life Expectancy (h)
9WP1212H101(1011)	12	7 to 13.8	0.38	4.56	2,600	2.80	99	70.4	0.283	39	- 10 to + 70	40,000
9WP1224H101(1011)	24	14 to 27.6	0.22	5.28	2,600	2.80	99	70.4	0.283	39		
9WP1248H101(1011)	48	40.8 to 55.2	0.11	5.28	2,600	2.80	99	70.4	0.283	39		

**Dimensions (Unit : mm)**



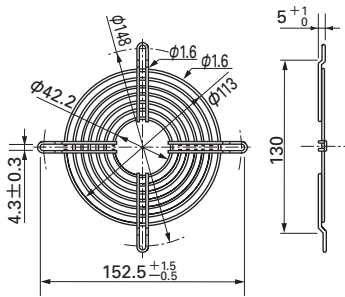
**Reference dimension of mounting holes and vent opening (Unit : mm)**



Options (Unit : mm)

Finger guards

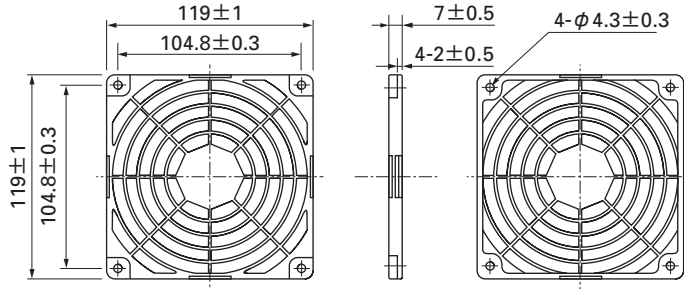
Model : 109-019C  
: 109-019H



Color

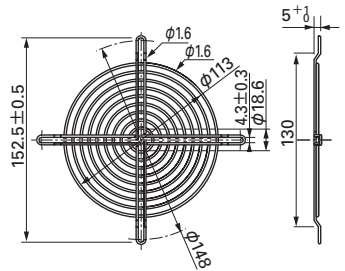
Resin Finger guards

Model : 109-1000G



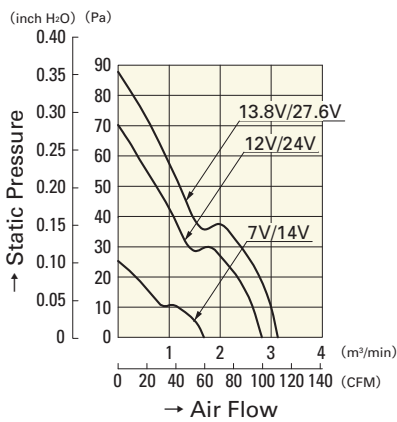
Color

Model : 109-019E  
: 109-019K

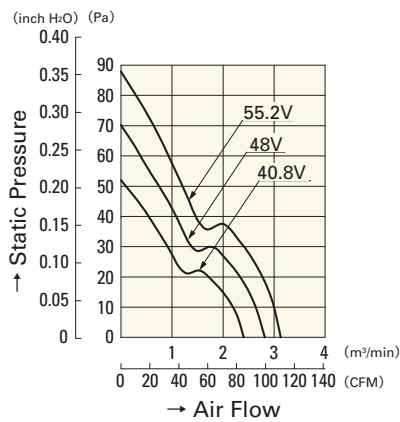


Air Flow and Static Pressure Characteristics

H speed



9WP1212H101(1011)  
9WP1224H101(1011)



9WP1248H101(1011)

Splash Proof Fan 120mm

120mm