

DC Fan

127mm

San Ace 127

38mm thick



General Specifications With a pulse sensor Specifications for pulse sensors ⇔ Refer to Page 239

*Please inquire about other specifications.

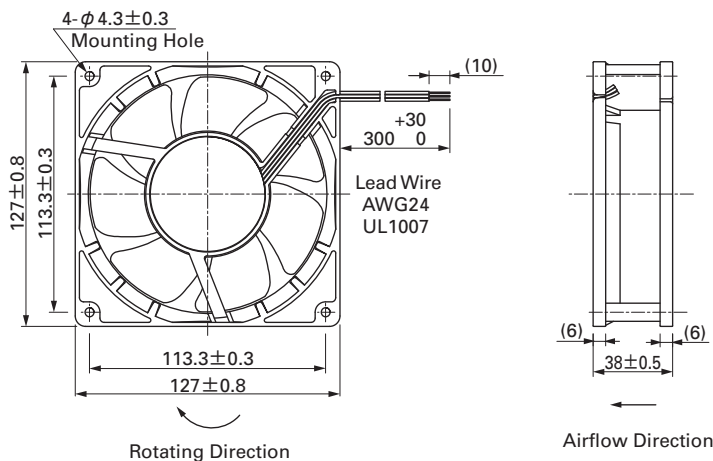
- Material Frame: Plastics (Flammability: UL94V-0),
Impeller: Plastics (Flammability: UL94V-1)
- Life Expectancy Varies for each model (L10: Survival rate: 90% at 60°C, rated voltage, and continuously run in a free air state)
- Lead Wire ⊕red ⊖black (Sensor) yellow
- Storage Temperature -30°C to +70°C (Non-condensing)

127mm × 38mm thick (Mass : 350g)

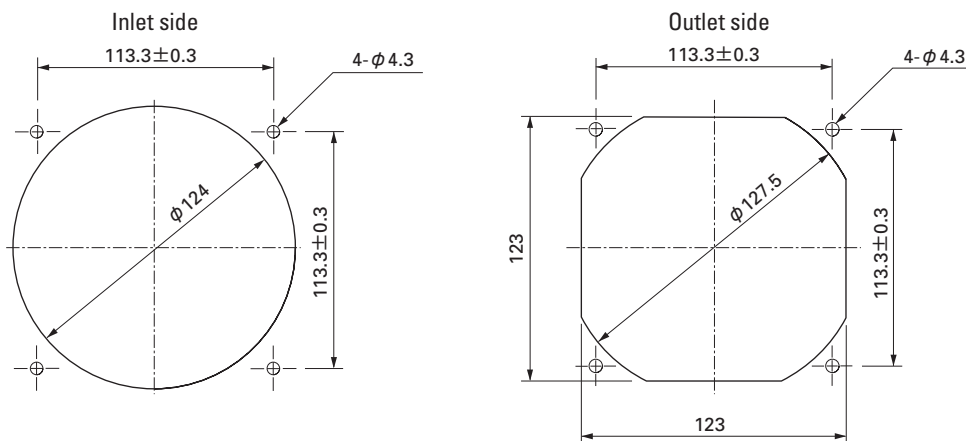
Specifications The numbers in () represent ribless models.

Model No.	Rated Voltage (V)	Operating Voltage Range (V)	Rated Current (A)	Rated Input (W)	Rated Speed (min ⁻¹)	Air Flow (m ³ /min) (CFM)	Static Pressure (Pa) (inchH ₂ O)	SPL (dB(A))	Operating Temperature Range (°C)	Life Expectancy (h)
109P1312S101(1011)	12	10.2 to 13.8	1.3	15.6	3,300	4.2 148	117.6 0.472	47	-10 to +60	40,000
109P1312H101(1011)			0.82	9.84	2,950	3.8 134	98 0.394	45		
109P1324S101(1011)	24	20.4 to 27.6	0.55	13.2	3,300	4.2 148	117.6 0.472	47		
109P1324H101(1011)			0.41	9.84	2,950	3.8 134	98 0.394	45		
109P1348S101(1011)	48	40.8 to 55.2	0.3	14.4	3,300	4.2 148	117.6 0.472	47		
109P1348H101(1011)			0.2	9.6	2,950	3.8 134	98 0.394	45		

Dimensions (Unit : mm)



Reference dimension of mounting holes and vent opening (Unit : mm)

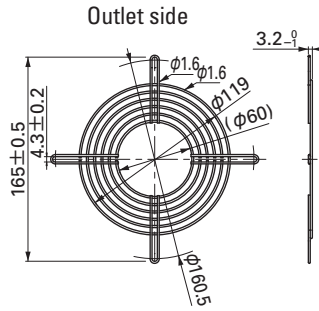
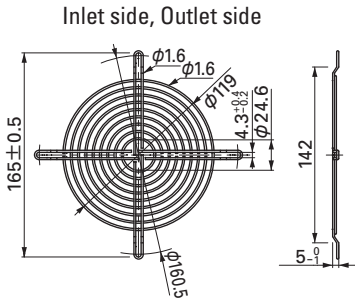


Options (Unit : mm)

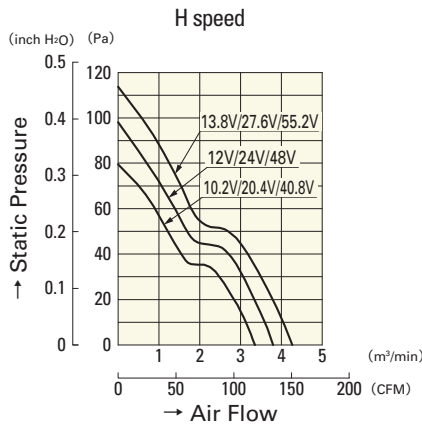
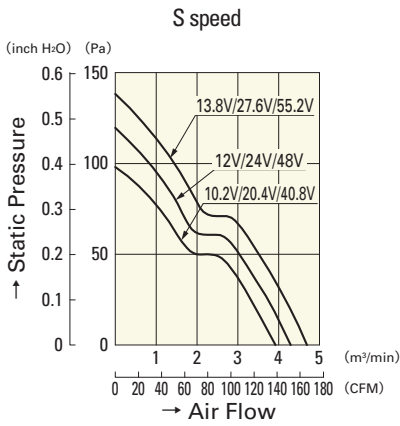
Finger guards

Model : 109-722 Surface treatment : Nickel-chrome plating (silver) Color

Model : 109-723 Surface treatment : Nickel-chrome plating (silver) Color



Air Flow and Static Pressure Characteristics



- 109P1312S101 (1011)
- 109P1324S101 (1011)
- 109P1348S101 (1011)

- 109P1312H101 (1011)
- 109P1324H101 (1011)
- 109P1348H101 (1011)

