

DC Fan

127mm

San Ace 127

38mm thick



General Specifications With a pulse sensor Specifications for pulse sensors ⇔ Refer to Page 239

*Please inquire about other specifications.

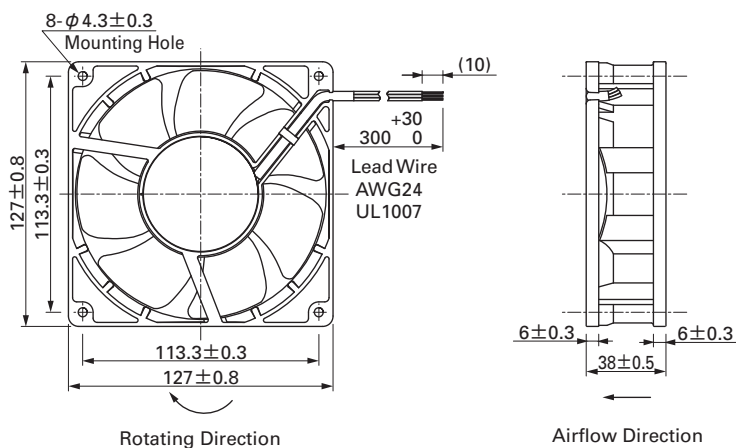
- Material Frame: Aluminum, Impeller:Plastics (Flammability: UL94V-0)
- Life Expectancy Varies for each model (L10:Survival rate:90% at 60°C ,
rated voltage, and continuously run in a free air state)
- Lead Wire ⊕red ⊖black (Sensor) yellow
- Storage Temperature -30°C to +70°C (Non-condensing)

127mm×38mm thick (Mass : 400g)

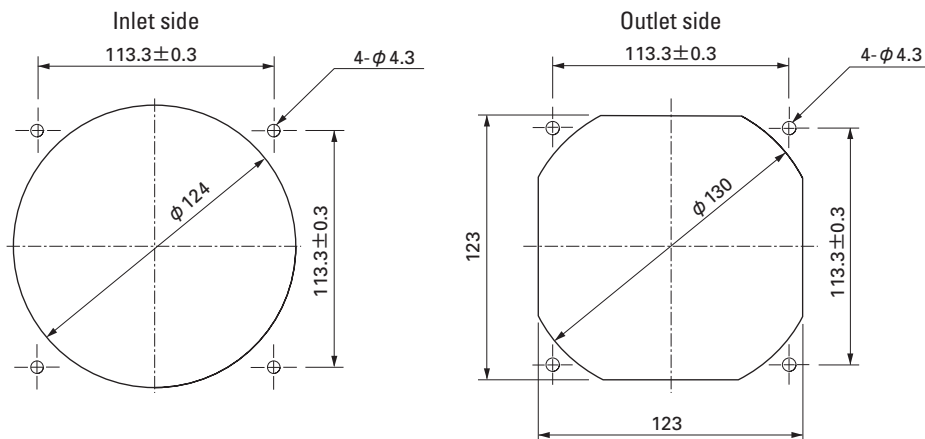
Specifications

Model No.	Rated Voltage (V)	Operating Voltage Range (V)	Rated Current (A)	Rated Input (W)	Rated Speed (min ⁻¹)	Air Flow (m ³ /min) (CFM)		Static Pressure (Pa) (inchH ₂ O)		SPL (dB(A))	Operating Temperature Range (°C)	Life Expectancy (h)
109E1312A101	12	10.2 to 13.8	1.4	16.8	3,850	4.81	170	155	0.622	52	-10 to +70	60,000
109E1312S101			1.2	14.4	3,450	4.37	154	125	0.502	49		
109E1324G101	24	20.4 to 27.6	1.1	25.1	4,550	5.66	200	216	0.867	57	-10 to +60	40,000
109E1324A101			0.7	16.8	3,850	4.81	170	155	0.622	52		
109E1324S101			0.53	12.7	3,450	4.37	154	125	0.502	49		
109E1348G101	48	40.8 to 55.2	0.54	25.9	4,550	5.66	200	216	0.867	57	-10 to +60	40,000
109E1348A101			0.36	17.3	3,850	4.81	170	155	0.622	52		
109E1348S101			0.28	13.4	3,450	4.37	154	125	0.502	49		

Dimensions (Unit : mm)



Reference dimension of mounting holes and vent opening (Unit : mm)

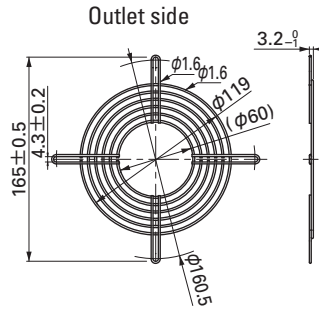
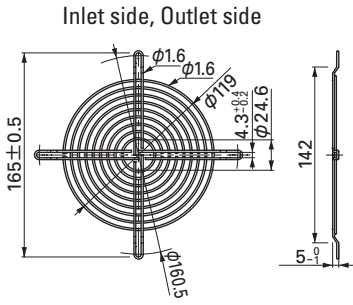


Options (Unit : mm)

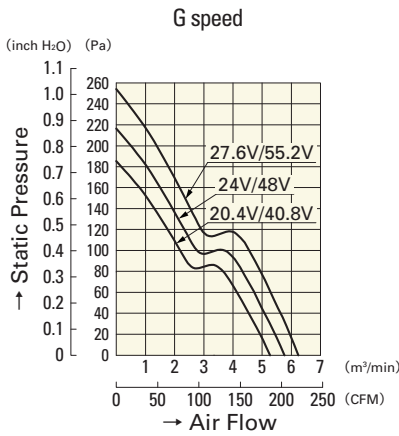
Finger guards

Model : 109-722 Surface treatment : Nickel-chrome plating (silver) Color

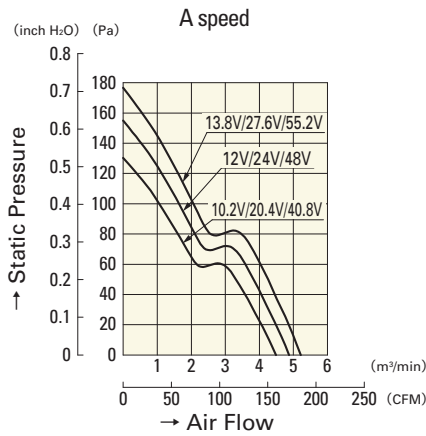
Model : 109-723 Surface treatment : Nickel-chrome plating (silver) Color



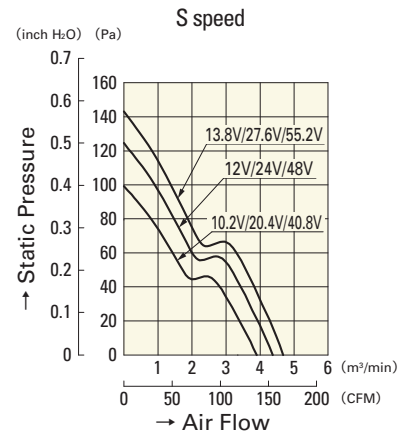
Air Flow and Static Pressure Characteristics



- 109E1324G101
- 109E1348G101



- 109E1312A101
- 109E1324A101
- 109E1348A101



- 109E1312S101
- 109E1324S101
- 109E1348S101