

DC Fan

140mm

San Ace 140

38mm thick



General Specifications **With a pulse sensor** Specifications for pulse sensors ⇨ Refer to Page 239

*Please inquire about other specifications.

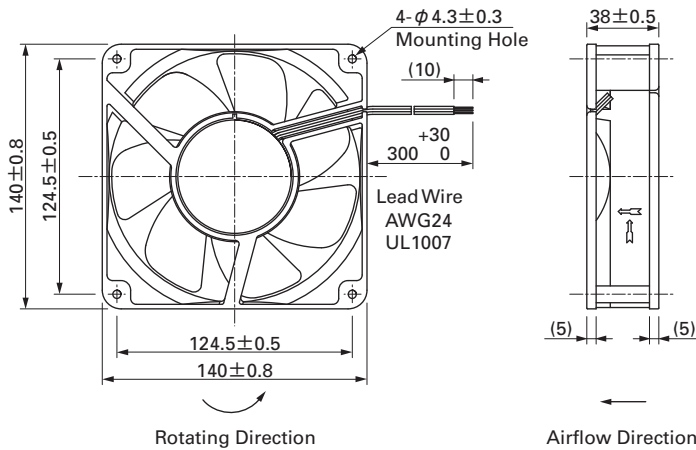
- Material Frame: Plastics (Flammability: UL94V-0),
Impeller: Plastics (Flammability: UL94V-1)
- Life Expectancy Varies for each model (L10: Survival rate: 90% at 60°C, rated voltage, and continuously run in a free air state)
- Lead Wire ⊕red ⊖black (Sensor) yellow
- Storage Temperature -30°C to +70°C (Non-condensing)

140mm × 38mm thick (Mass : 450g)

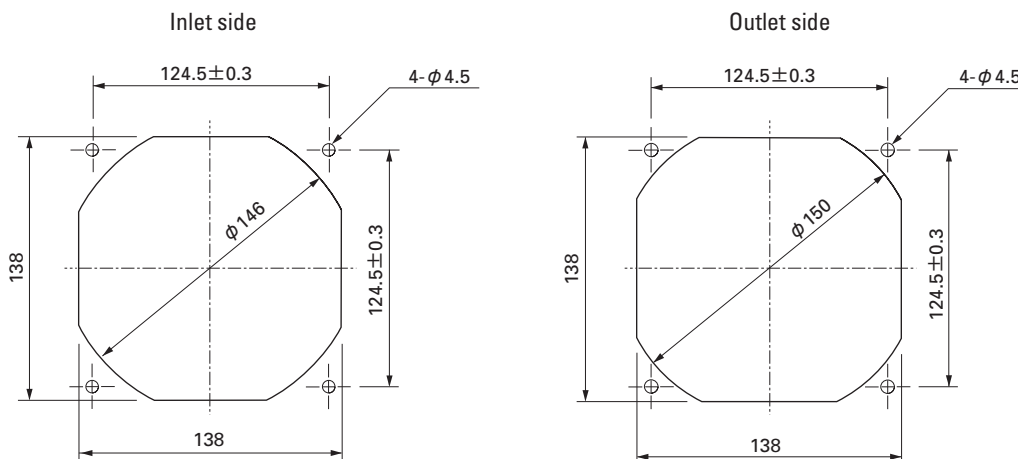
Specifications

Model No.	Rated Voltage (V)	Operating Voltage Range (V)	Rated Current (A)	Rated Input (W)	Rated Speed (min ⁻¹)	Air Flow (m ³ /min) (CFM)	Static Pressure (Pa) (inchH ₂ O)	SPL (dB[A])	Operating Temperature Range (°C)	Life Expectancy (h)
109P1412H101	12	10.2 to 13.8	0.73	8.76	2,600	4.5 159	94 0.378	46	-10 to +70	40,000
109P1412M101			0.33	3.96	1,900	3.3 117	52 0.209	38		
109P1424H101	24	20.4 to 27.6	0.37	8.88	2,600	4.5 159	94 0.378	46		
109P1424M101			0.16	3.84	1,900	3.3 117	52 0.209	38		
109P1448H101	48	40.8 to 55.2	0.2	9.6	2,600	4.5 159	94 0.378	46		
109P1448M101			0.09	4.32	1,900	3.3 117	52 0.209	38		

Dimensions (Unit : mm)



Reference dimension of mounting holes and vent opening (Unit : mm)

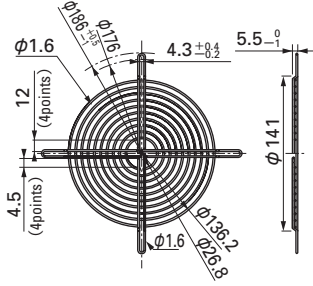


Options (Unit : mm)

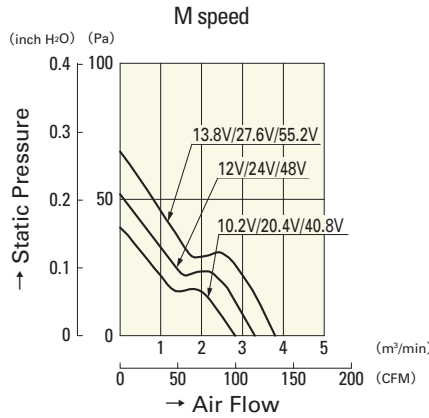
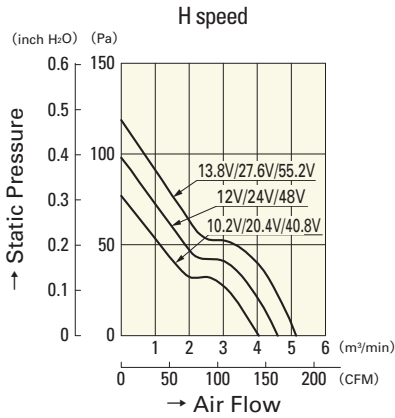
Finger guards

Model : 109-719 Surface treatment : Nickel-chrome plating (silver) Color
 : 109-719H : Cation electropainting (black)

Inlet side, Outlet side



Air Flow and Static Pressure Characteristics



- 109P1412H101
- 109P1424H101
- 109P1448H101

- 109P1412M101
- 109P1424M101
- 109P1448M101