

Splash Proof Fan

140mm

San Ace 140W

38mm thick, 51mm thick(WB type)



General Specifications With a pulse sensor Specifications for pulse sensors ⇨ Refer to Page 239

*Please inquire about other specifications.

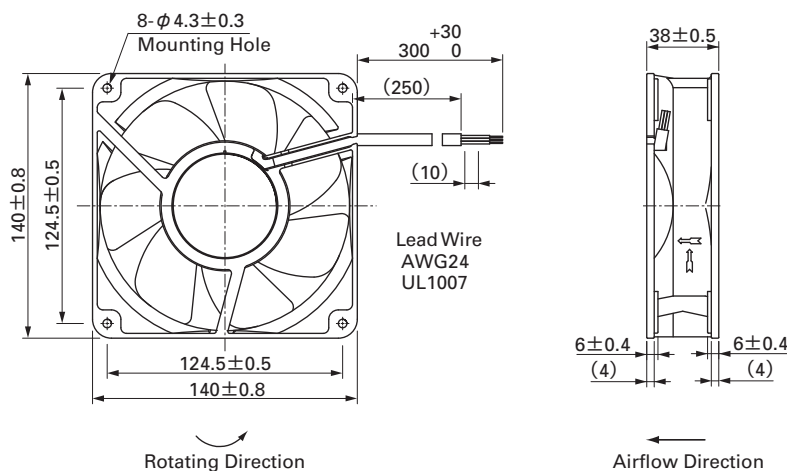
- Material Frame: Aluminum, Impeller:Plastics (Flammability: UL94V-1)
- Life ExpectancyVaries for each model(L10:Survival rate: 90% at 60°C , rated voltage,and continuously run in a free air state)
- Lead Wire ⊕red ⊖black Sensor yellow
- Storage Temperature ... -30°C to +70°C (Non-condensing)

140mm×38mm thick (Mass : 650g) **IP 55** Dust resistant device with protection against water jets

Specifications

Model No.	Rated Voltage (V)	Operating Voltage Range (V)	Rated Current (A)	Rated Input (W)	Rated Speed (min ⁻¹)	Air Flow (m ³ /min) (CFM)		Static Pressure (Pa) (inchH ₂ O)		SPL (dB[A])	Operating Temperature Range (°C)	Life Expectancy (h)
109W1412H101-U	12	10.2 to 13.8	0.73	8.76	2,600	4.5	159	98	0.394	46	- 10 to + 60	100,000
109W1412M101-U			0.3	3.6	1,900	3.3	117	52	0.209	38		
109W1424H101-U	24	20.4 to 27.6	0.37	8.88	2,600	4.5	159	98	0.394	46		
109W1424M101-U			0.16	3.84	1,900	3.3	117	52	0.209	38		
109W1448H101-U	48	40.8 to 55.2	0.2	9.6	2,600	4.5	159	98	0.394	46		
109W1448M101-U			0.09	4.32	1,900	3.3	117	52	0.209	38		

Dimensions (Unit : mm)



Reference dimension of mounting holes and vent opening (Unit : mm)

