

Splash Proof Fan

140mm

San Ace 140W

38mm thick, 51mm thick(WB type)



General Specifications With a pulse sensor Specifications for pulse sensors ⇨ Refer to Page 239

*Please inquire about other specifications.

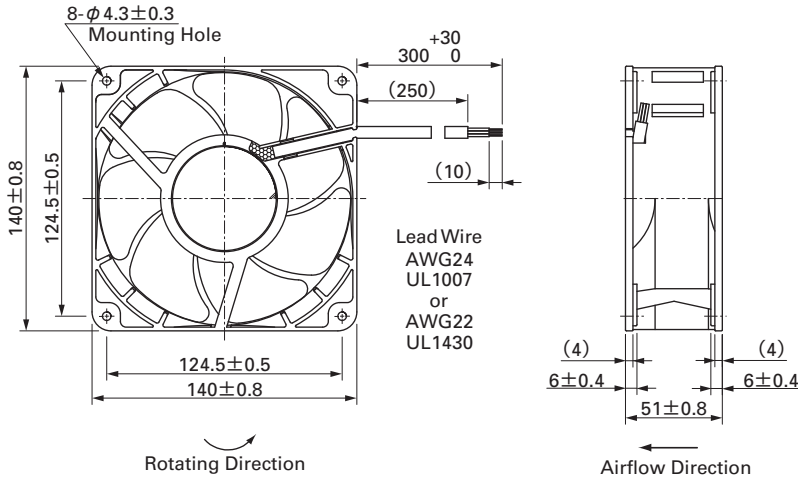
- Material Frame: Aluminum, Impeller:Plastics (Flammability: UL94V-1)
- Life Expectancy Varies for each model(L10:Survival rate: 90% at 60°C , rated voltage,and continuously run in a free air state)
- Lead Wire ⊕red ⊖black Sensor yellow
- Storage Temperature ... -30°C to +70°C (Non-condensing)

140mm×51mm thick (Mass : 700g) **IP 55** Dust resistant device with protection against water jets **WBtype**

Specifications

Model No.	Rated Voltage (V)	Operating Voltage Range (V)	Rated Current (A)	Rated Input (W)	Rated Speed (min ⁻¹)	Air Flow (m ³ /min) (CFM)		Static Pressure (Pa) (inchH ₂ O)		SPL (dB[A])	Operating Temperature Range (°C)	Life Expectancy (h)
9WB1412S501	12	10.2 to 13.8	2.7	32.4	4,200	8.1	286	240	0.964	57	- 10 to + 70	60,000
9WB1412H501			1.25	15	3,100	5.9	208	130	0.522	49		100,000
9WB1412M501			0.46	5.52	2,050	3.9	138	63	0.253	39		100,000
9WB1424H501	24	20.4 to 27.6	0.6	14.4	3,100	5.9	208	130	0.522	49		60,000
9WB1424M501			0.22	5.28	2,050	3.9	138	63	0.253	39		100,000
9WB1448S501	48	40.8 to 55.2	0.71	34.08	4,200	8.1	286	240	0.964	57		60,000
9WB1448H501			0.27	12.96	3,100	5.9	208	130	0.522	49	100,000	

Dimensions (Unit : mm)



Reference dimension of mounting holes and vent opening (Unit : mm)

