

DC Fan

150mm

San Ace 150

50mm thick (GV type)



General Specifications With a pulse sensor Specifications for pulse sensors ⇨ Refer to Page 239

*Please inquire about other specifications.

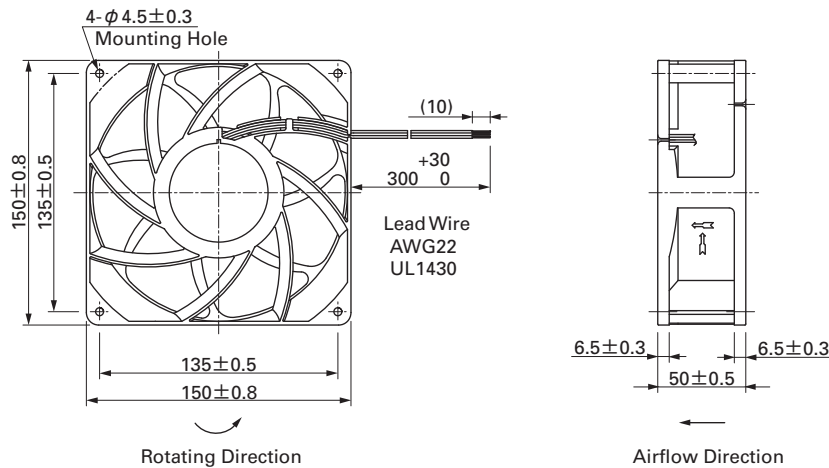
- Material Frame: Plastics (Flammability: UL94V-0),
Impeller: Plastics (Flammability: UL94V-1)
- Life Expectancy Varies for each model (L10: Survival rate: 90% at 60°C, rated voltage, and continuously run in a free air state)
- Lead Wire ⊕red ⊖black Sensor yellow
- Storage Temperature -30°C to +70°C (Non-condensing)

150mm × 50mm thick (Mass : 450g) GV type

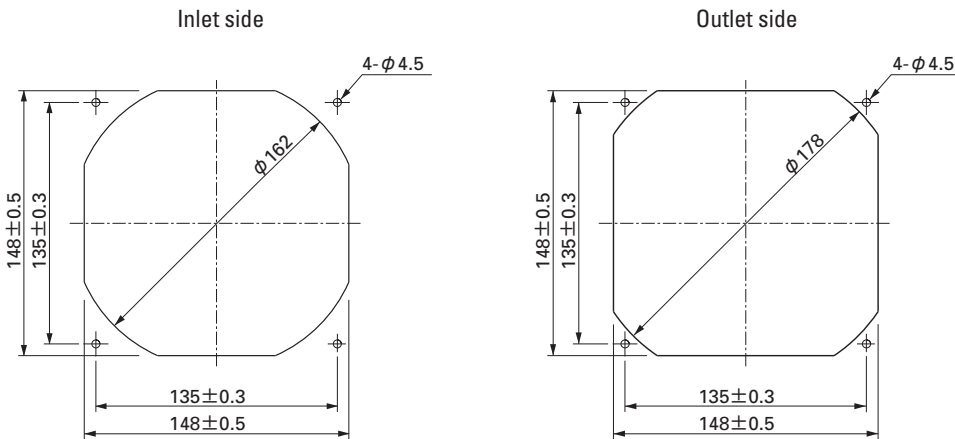
Specifications The numbers in () represent ribless models.

Model No.	Rated Voltage (V)	Operating Voltage Range (V)	Rated Current (A)	Rated Input (W)	Rated Speed (min ⁻¹)	Air Flow (m ³ /min) (CFM)	Static Pressure (Pa) (inchH ₂ O)	SPL (dB[A])	Operating Temperature Range (°C)	Life Expectancy (h)
9GV1512H501(5011)	12	10.2 to 13.8	2.9	34.8	3,900	8.54 300	210 0.84	61	-10 to +70	40,000
9GV1512M501(5011)			1.2	14.4	3,000	6.35 224	132 0.53	53		

Dimensions (Unit : mm)



Reference dimension of mounting holes and vent opening (Unit : mm)



Options (Unit : mm)

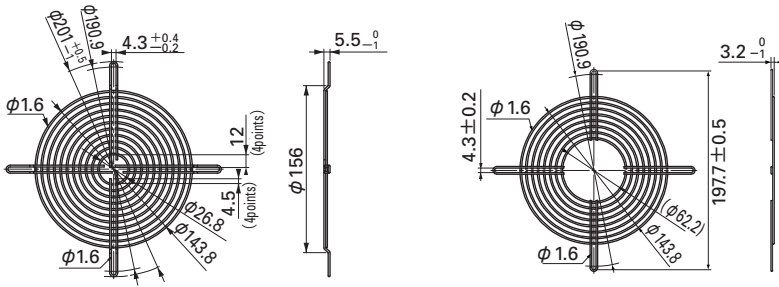
Finger guards

Model : 109-1051 Surface treatment : Nickel-chrome plating (silver) Color

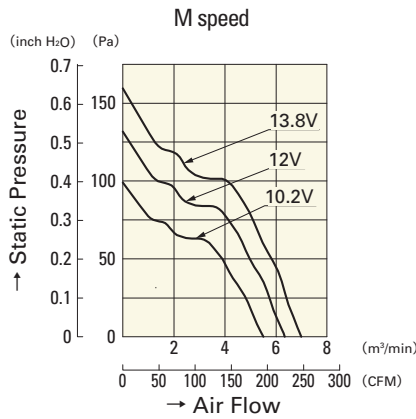
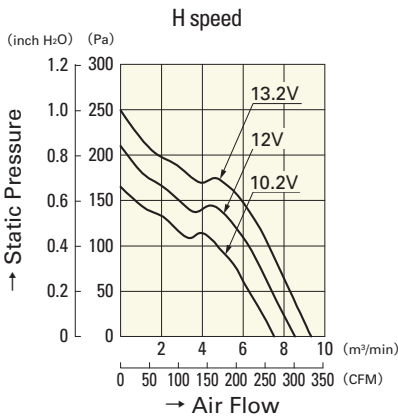
Model : 109-1052 Surface treatment : Nickel-chrome plating (silver) Color

Inlet side, Outlet side

Outlet side



Air Flow and Static Pressure Characteristics



9GV1512H501(5011)

9GV1512M501(5011)