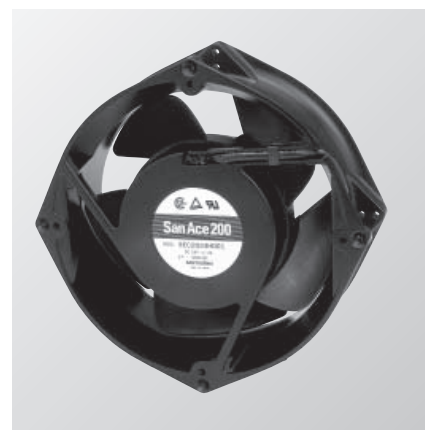


**DC Fan**

**φ200mm**

**San Ace 200**

70mm thick



**General Specifications** With a pulse sensor Specifications for pulse sensors ⇨ Refer to Page 239

\*Please inquire about other specifications.

- Material ..... Frame: Aluminum, Impeller:Plastics (Flammability: UL94V-1)
- Life Expectancy ..... Varies for each model (L10:Survival rate:90% at 60°C ,  
rated voltage, and continuously run in a free air state)
- Lead Wire ..... ⊕red ⊖black Sensor yellow
- Storage Temperature ... -30°C to +70°C (Non-condensing)

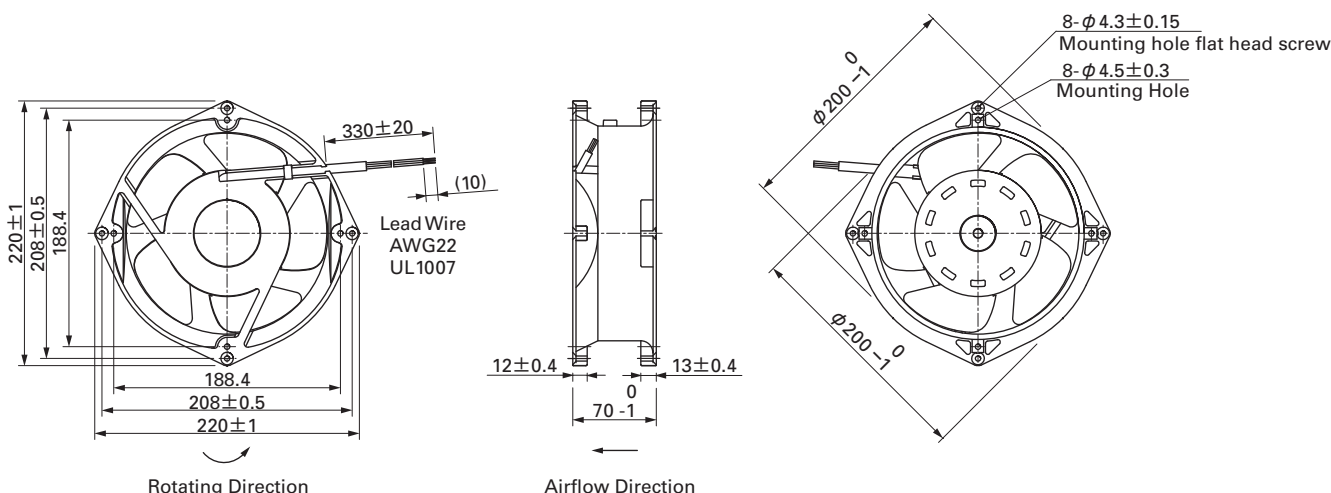
Power on when current is shut off. Do not power on 10sec or more after power off.

**φ200mm×70mm thick** (Mass : 1800g)

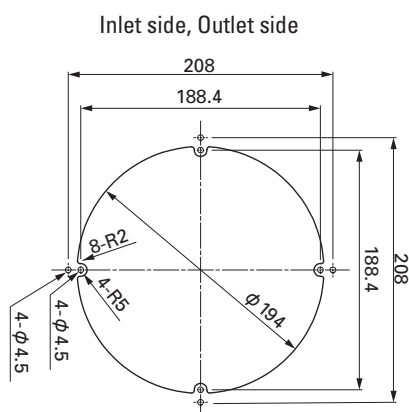
**Specifications**

Model No.	Rated Voltage (V)	Operating Voltage Range (V)	Rated Current (A)	Rated Input (W)	Rated Speed (min <sup>-1</sup> )	Air Flow (m <sup>3</sup> /min) (CFM)	Static Pressure (Pa) (inchH <sub>2</sub> O)	SPL (dB(A))	Operating Temperature Range (°C)	Life Expectancy (h)
9EC2024H001	24	20.4 to 26.4	2.0	48.0	3,600	11.0 388	360 1.446	60	-10 to +60	40,000
9EC2048A001	48	43 to 51.0	2.2	105.6	4,800	14.7 519	640 2.570	68		
9EC2048H001		40.8 to 52.8	1.2	57.6	3,600	11.0 388	360 1.446	60		

**Dimensions (Unit : mm)**



**Reference dimension of mounting holes and vent opening (Unit : mm)**



Options (Unit : mm)

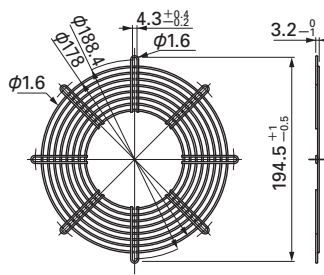
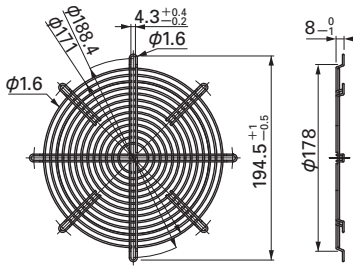
Finger guards

Model : 109-720 Surface treatment : Nickel-chrome plating (silver) Color : 109-720H : Cation electropainting (black)

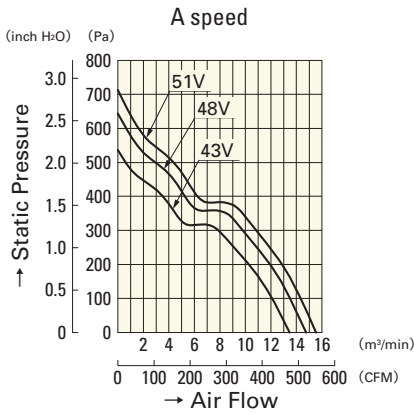
Model : 109-721 Surface treatment : Nickel-chrome plating (silver) Color : 109-721H : Cation electropainting (black)

Inlet side, Outlet side

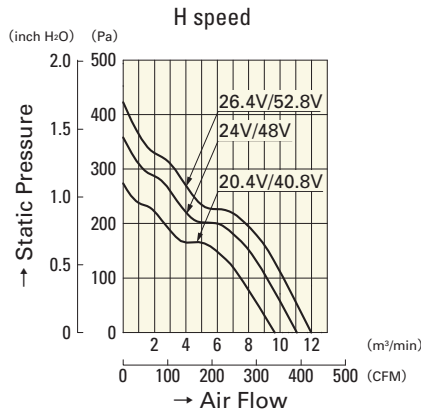
Outlet side



Air Flow and Static Pressure Characteristics



9EC2048A001



9EC2024H001  
9EC2048H001