

Blower

76mm

San Ace B76

30mm thick



General Specifications With a pulse sensor Specifications for pulse sensors ⇨ Refer to Page 239

*Please inquire about other specifications.

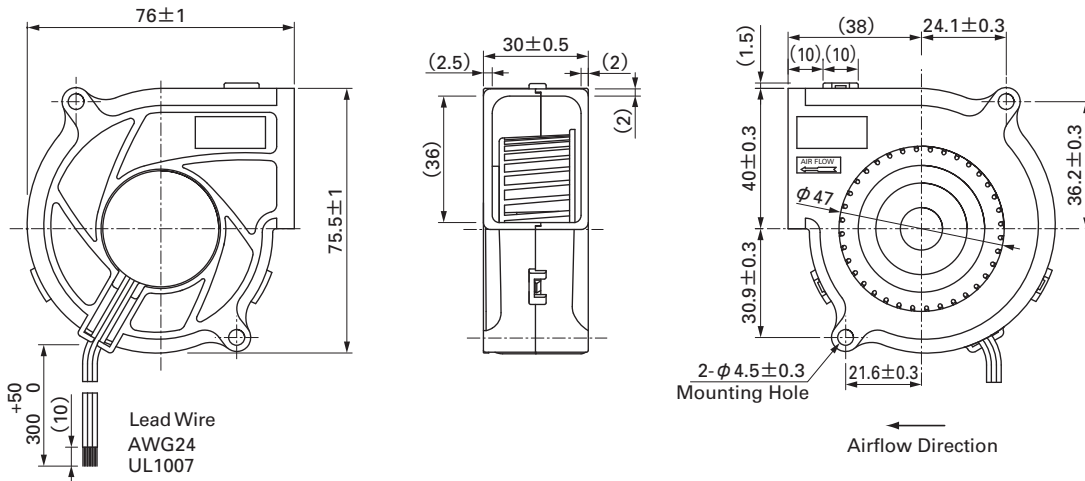
- Material Frame: Plastics (Flammability: UL94V-0),
Impeller: Plastics (Flammability: UL94V-1)
- Life Expectancy Varies for each model(L10:Survival rate: 90% at 60°C ,
rated voltage, and continuously run in a free air state)
- Lead Wire ⊕red ⊖black Sensor yellow
- Storage Temperature ... -30°C to +70°C (Non-condensing)

76mm×30mm thick (Mass : 100g)

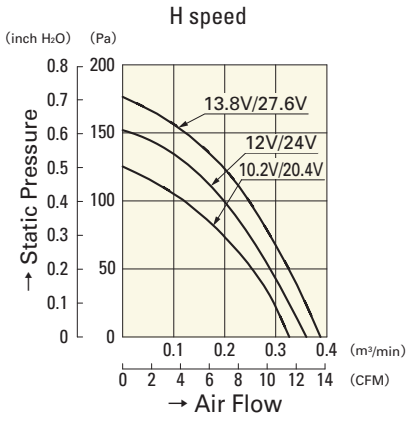
Specifications

Model No.	Rated Voltage (V)	Operating Voltage Range (V)	Rated Current (A)	Rated Input (W)	Rated Speed (min ⁻¹)	Air Flow (m ³ /min) (CFM)		Static Pressure (Pa) (inchH ₂ O)		SPL (dB(A))	Operating Temperature Range (°C)	Life Expectancy (h)
109BD12HC2	12	10.2 to 13.8	0.37	4.44	3,000	0.36	12.7	151.9	0.610	41.5	-10 to +60	40,000
109BD12FC2			0.27	3.24	2,600	0.31	10.9	98	0.394	37	-10 to +70	
109BD12MC2			0.14	1.68	2,100	0.25	8.8	58.8	0.236	32.5	-10 to +70	
109BD24HC2	24	20.4 to 27.6	0.17	4.08	3,000	0.36	12.7	151.9	0.610	41.5	-10 to +60	
109BD24FC2			0.14	3.36	2,600	0.31	10.9	98	0.394	37	-10 to +70	
109BD24MC2			0.10	2.40	2,100	0.25	8.8	58.8	0.236	32.5	-10 to +70	

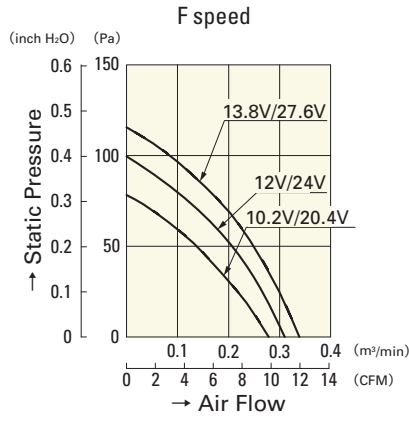
Dimensions (Unit : mm)



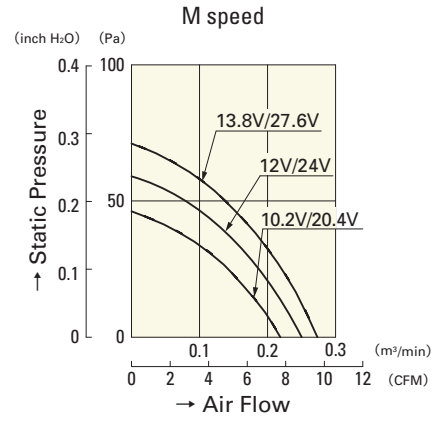
Air Flow and Static Pressure Characteristics



109BD12HC2
109BD24HC2



109BD12FC2
109BD24FC2



109BD12MC2
109BD24MC2

Blower 76mm

76mm